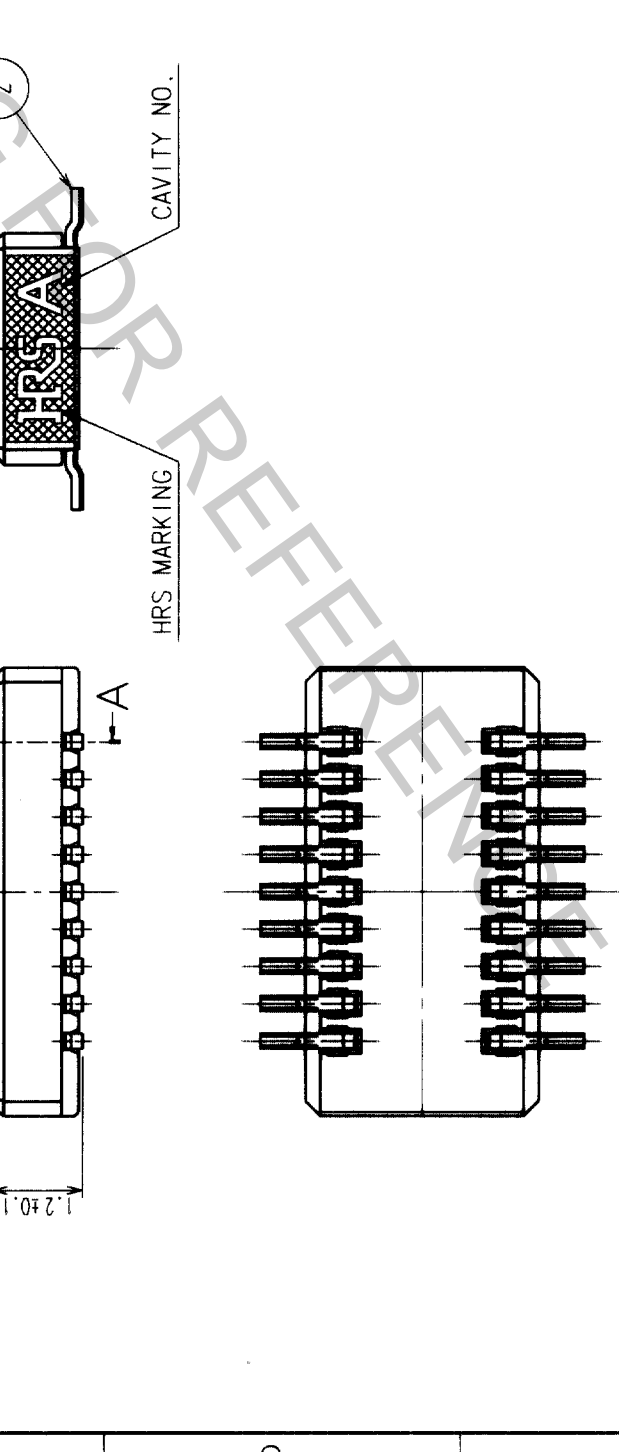
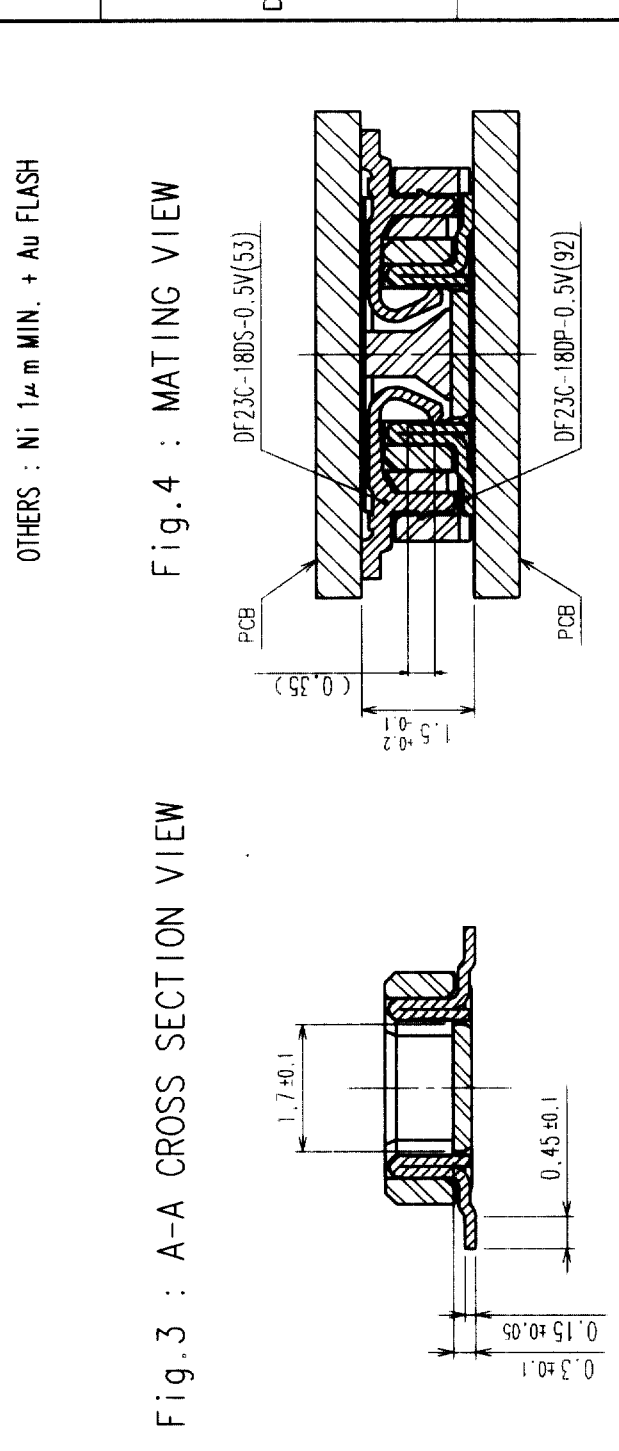
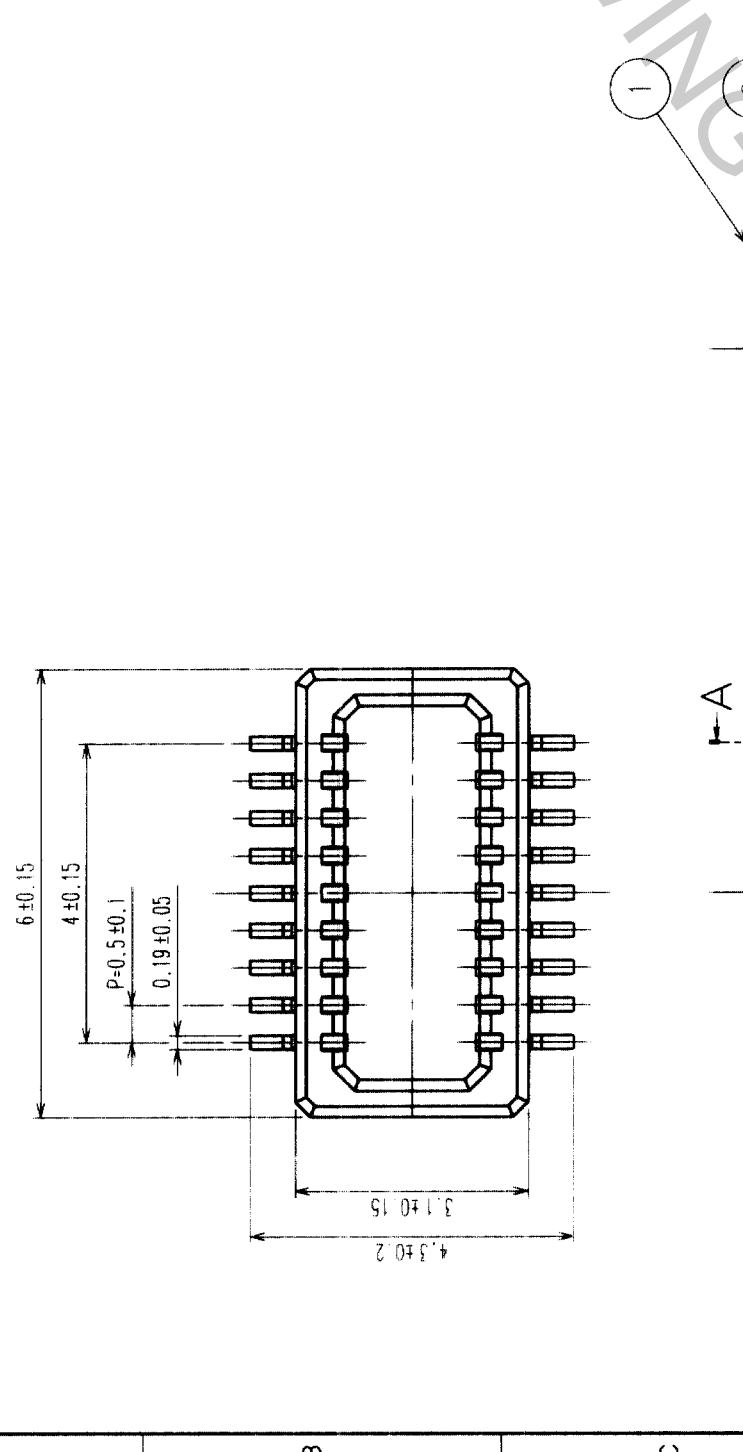
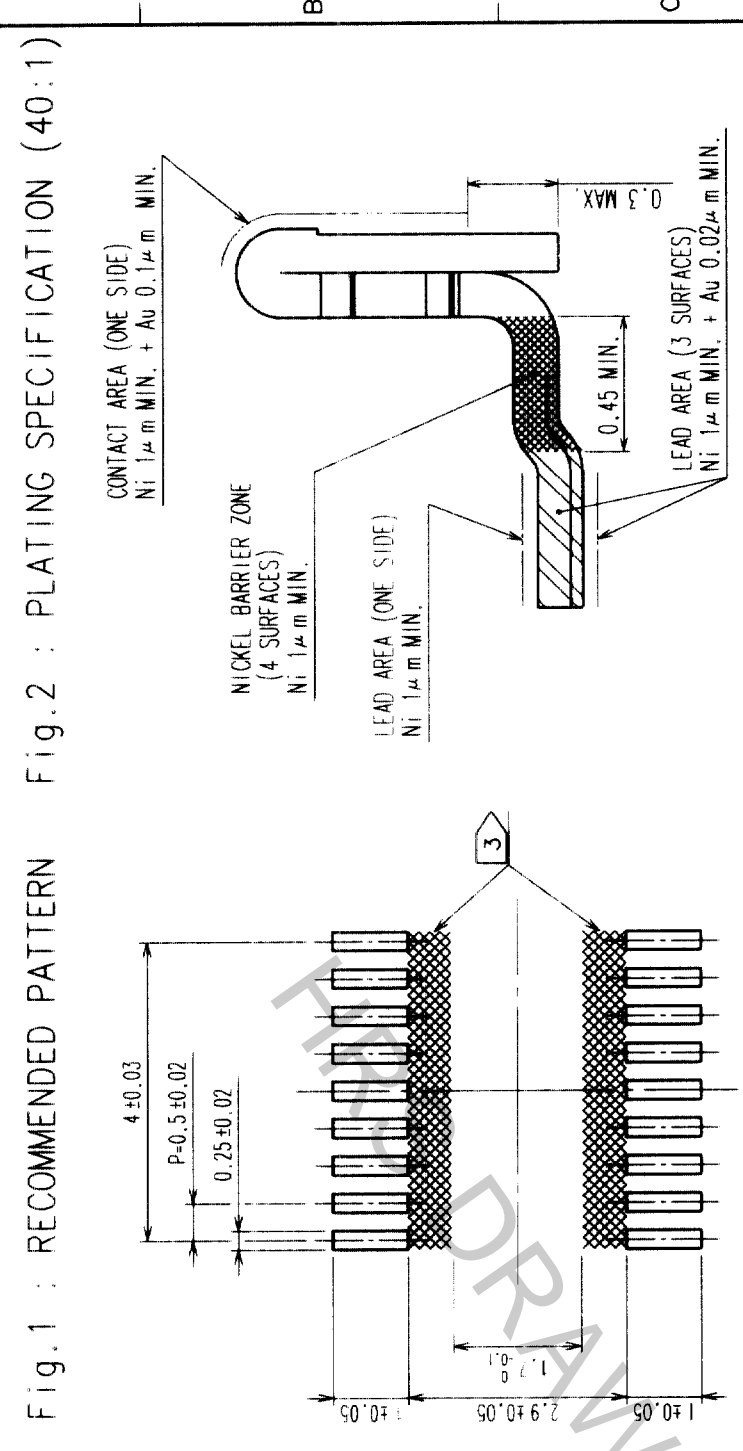


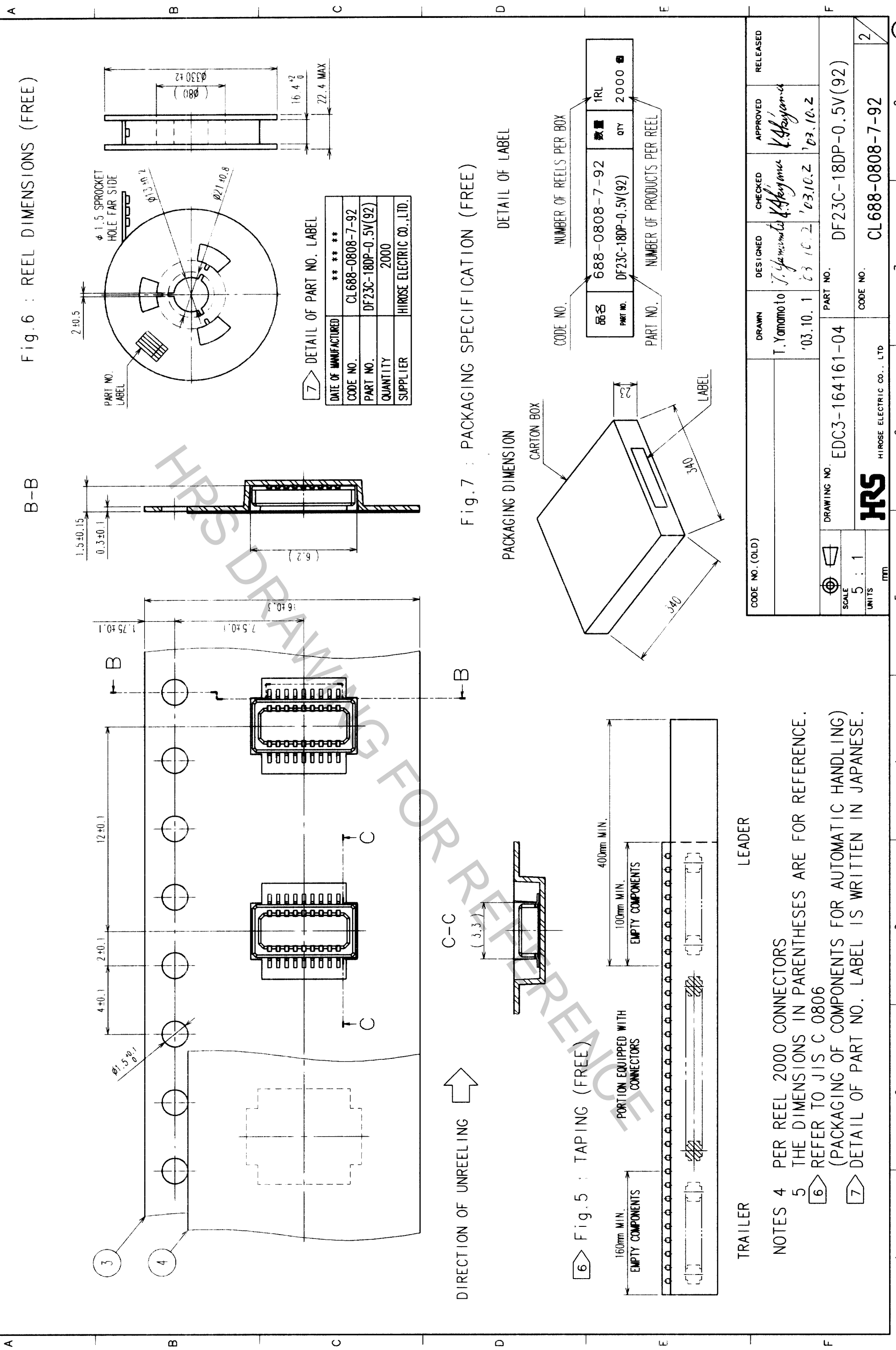
NO.	DESCRIPTION OF REVISIONS	BY	CHKD	DATE	COUNT	DESCRIPTION OF REVISIONS	BY	CHKD	DATE
5									
6									
7									
8									



NOTES 1 LEAD CO-PLANARITY SHALL BE 0.1mm MAX.
 2 REFER TO Fig.2
 3 WHEN A PART MARKED WITH HAS A PATTERN BUT NO RESIST ON IT, TAKE CARE TO PREVENT THE CONNECTOR FROM TOUCHING IT.

NO.	MATERIAL	FINISH, REMARKS	DRAWN	DESIGNED	CHECKED	APPROVED	RELEASED
2	PHOSPHOR BRONZE	2					
1	LOP	BLACK,UL94V-0					
NO.	MATERIAL	FINISH, REMARKS	DRAWN	DESIGNED	CHECKED	APPROVED	RELEASED
CODE NO. (OLD)			T. Yamamoto	S. Yamamoto	K. Hayama	K. Hayama	
			'03.10.1	'03.10.2	'03.10.2	'03.10.2	
DRAWING NO. EDC3-164161-04		PART NO. DF23C-18DP-0.5V(92)					
SCALE 10:1							
UNITS ITT							
HRS HIROSE ELECTRIC CO., LTD		CODE NO. CL688-0808-7-92					

TO	



TO	

CODE NO. (OLD)		DESIGNED	T. Yamamoto	CHECKED	K. Akayama	APPROVED	K. Akayama	RELEASED	
DRAWING NO.	EDC3-164161-04	DRAWN	T. Yamamoto	DESIGNED	T. Yamamoto	CHECKED	K. Akayama	APPROVED	K. Akayama
SCALE	5 : 1								
UNITS	mm								
PART NO.	DF23C-18DP-0.5V(92)								
CODE NO.	CL688-0808-7-92								

