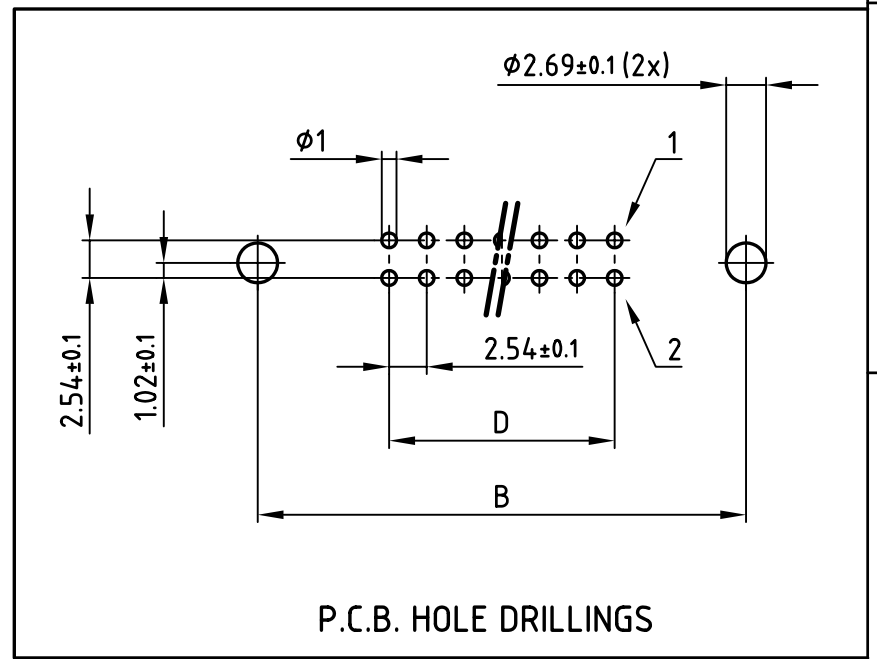
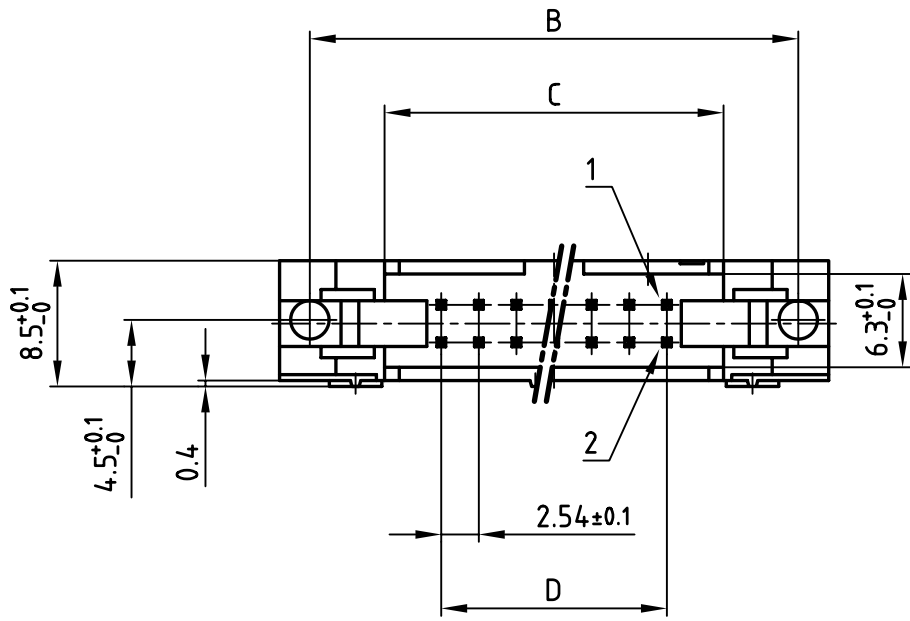
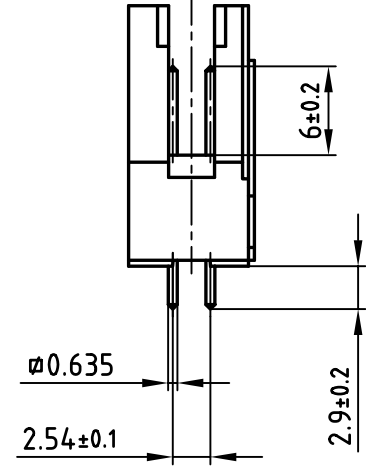
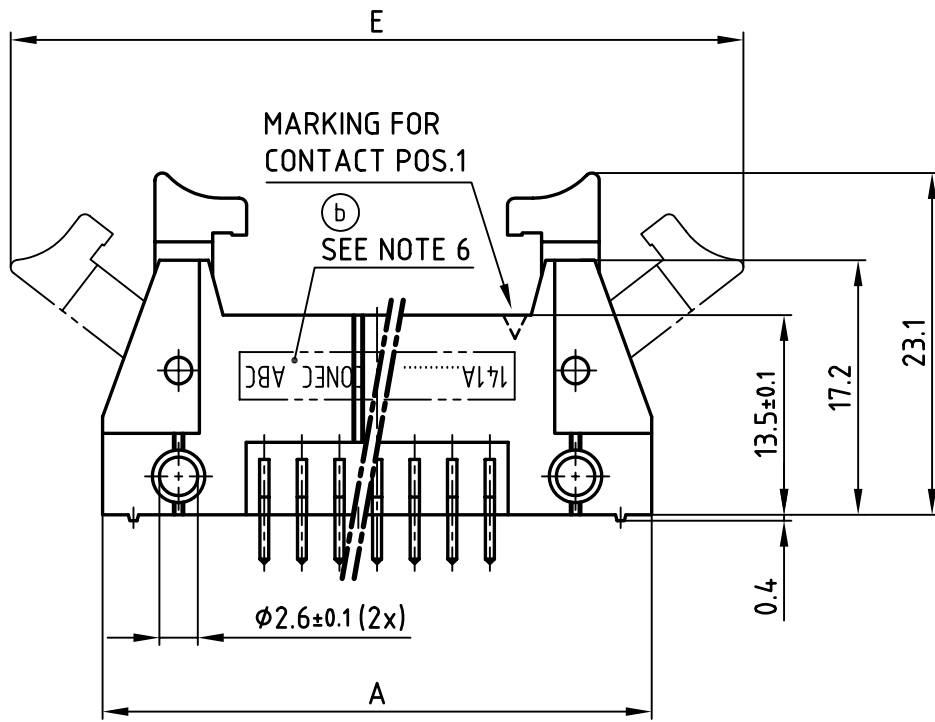


used for: DIN 41651



| No. of pos. | A ±0.2 | B ±0.1 | C +0.2 | D ±0.1 | E | Part-NO. |
|-------------|--------|--------|--------|---------------|--------|------------|
| 10 | 32.00 | 27.94 | 17.82 | 4x2.54=10.16 | 44.50 | 141A10199X |
| 14 | 37.08 | 33.02 | 22.90 | 6x2.54=15.24 | 49.50 | 141A10209X |
| 16 | 39.62 | 35.56 | 25.44 | 7x2.54=17.78 | 52.10 | 141A10219X |
| 20 | 44.70 | 40.64 | 30.52 | 9x2.54=22.86 | 57.00 | 141A10229X |
| 26 | 52.32 | 48.26 | 38.14 | 12x2.54=30.48 | 64.60 | 141A10239X |
| 34 | 62.48 | 58.42 | 48.30 | 16x2.54=40.64 | 74.80 | 141A10249X |
| 40 | 70.10 | 66.04 | 55.92 | 19x2.54=48.26 | 82.40 | 141A10259X |
| 50 | 82.80 | 78.74 | 68.62 | 24x2.54=60.96 | 95.20 | 141A10269X |
| 60 | 95.50 | 91.44 | 81.32 | 29x2.54=73.66 | 107.90 | 141A10279X |
| 64 | 100.58 | 96.52 | 86.40 | 31x2.54=78.74 | 113.02 | 141A12319X |

NOTES:

- INSULATORS: PBTP UL 94 V-0, GREY
- CONTACTS: COPPER ALLOY
PLATING: GOLD over NICKEL
50 MATING CYCLES
- OPERATING TEMPERATURE RANGE: -40°C TO +105°C
- CURRENT CARRYING CAPACITY: 1A
- TEST VOLTAGE: 1000 Veff.
- CONNECTOR IS PART MARKED: PART-NO. CONEC ABC



| | |
|---|--------|
| APPROVAL # FREIGABE # DEBLOCAGE # AUTOR/ZACION # APPROVAL | |
| CUSTOMER APPROVAL DATE: | |
| NAME: | TITLE: |
| COMPANY NAME: | |
| APPROVAL # FREIGABE # DEBLOCAGE # AUTOR/ZACION # APPROVAL | |

| | | | |
|--|-------------|------------|--------|
| THIS DRAWING MAY NOT BE COPIED OR REPRODUCED IN ANY WAY, AND MAY NOT BE PASSED ON TO A THIRD PARTY WITHOUT WRITTEN PERMISSION. | | | |
| OWNERSHIP AND COPYRIGHT OF CONEC GmbH | | | |
| DO NOT ALTER CAD DRAWING BY HAND | | | |
| 2 x b | Ä 3115 | 24.09.2008 | Lehmen |
| a | Origin | | |
| rev. | description | date | name |

| | | | |
|-----------|--------|--------------|---|
| tolerance | | scale: | 2:1 |
| | | material: | SEE NOTES |
| 2007 | date | name | title: HEADER 10-64pos. STRAIGHT SOLDER PINS 2.9mm with short latch |
| drawn | 27.06. | Lehmenkühler | |
| appd. | 27.06. | Mickenbecker | |
| | | norm | DIN 41651 |
| | | d-old | |
| dwg no: | | AutoCAD 2006 | DIN-A |
| part no: | | 14K1A018 | 3 |
| | | | sh:1/1 |
| part no: | | SEE TABLE | |

