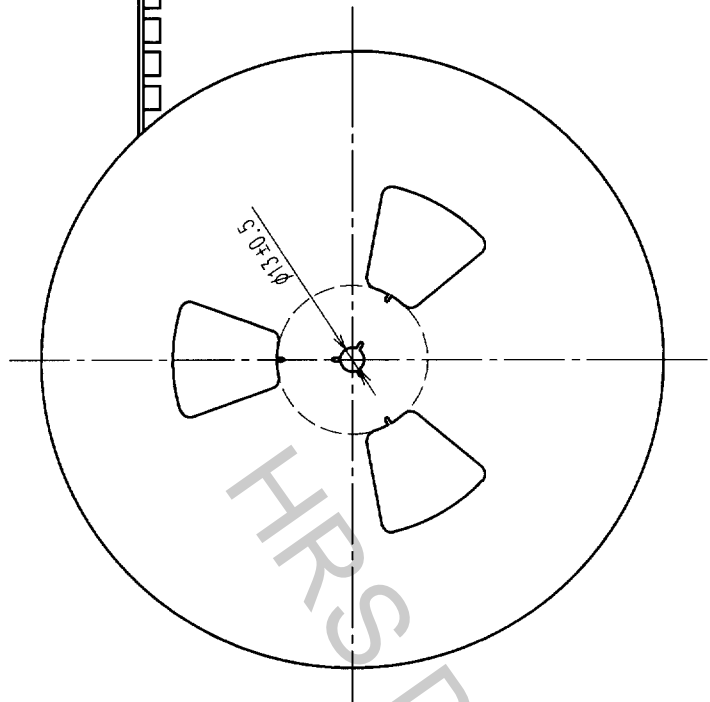
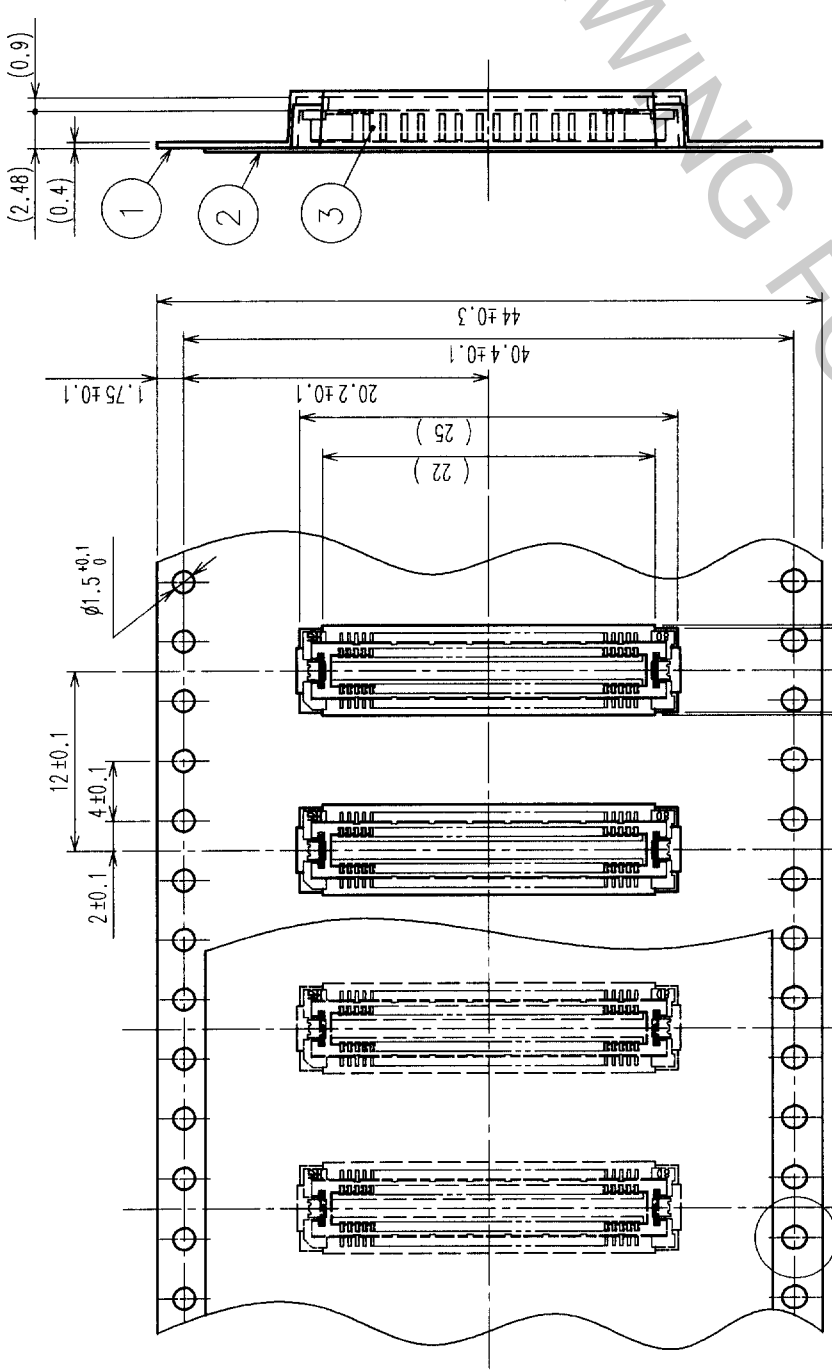
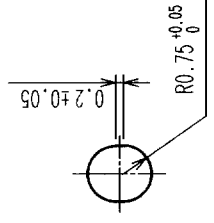


COUNT	DESCRIPTION OF REVISIONS	BY	CHKD	DATE	COUNT	DESCRIPTION OF REVISIONS	BY	CHKD	DATE
△					△				
△					△				
△					△				

REELED DIMENSION(FREE)



A (5:1)



- NOTES
- 1 REEL: 1000 CONNECTORS.
 - 2 MINIMUM 10 COMPARTMENTS FROM BOTH REEL ENDS REMAIN EMPTY.
 - 3 THIS PRODUCT HAS NO POLARITY TO TAPE AND REEL PACKAGING.

2	PET	TOP COVER TAPE	3	(CONNECTOR)	FINISH, REMARKS	FINISH, REMARKS			
1	PS	EMBOSSED CARRIER TAPE	3						
NO.	MATERIAL	FINISH, REMARKS	NO.	MATERIAL	DESIGNED	CHECKED	APPROVED	RELEASED	
CL					<i>A. Yamaguchi</i>	<i>H. Okawa</i>	<i>T. Yamamoto</i>		
DRAWING FOR PACKING		DRAWN		DESIGNED		CHECKED		APPROVED	
		<i>A. Yamaguchi</i>		<i>H. Yamaguchi</i>		<i>H. Okawa</i>		<i>T. Yamamoto</i>	
		'02.03.23		'02.03.23		'02.03.23		'02.03.23	
DRAWING NO.		PART NO.		FINISH, REMARKS		FINISH, REMARKS		FINISH, REMARKS	
EDC3-152439-01		FX11A-80P-SV(21)							
SCALE		CODE NO.		FINISH, REMARKS		FINISH, REMARKS		FINISH, REMARKS	
2:1		CL573-0548-0-21							
UNITS		HRS		HIROSE ELECTRIC CO., LTD					
JIS									

TO	
PCK	