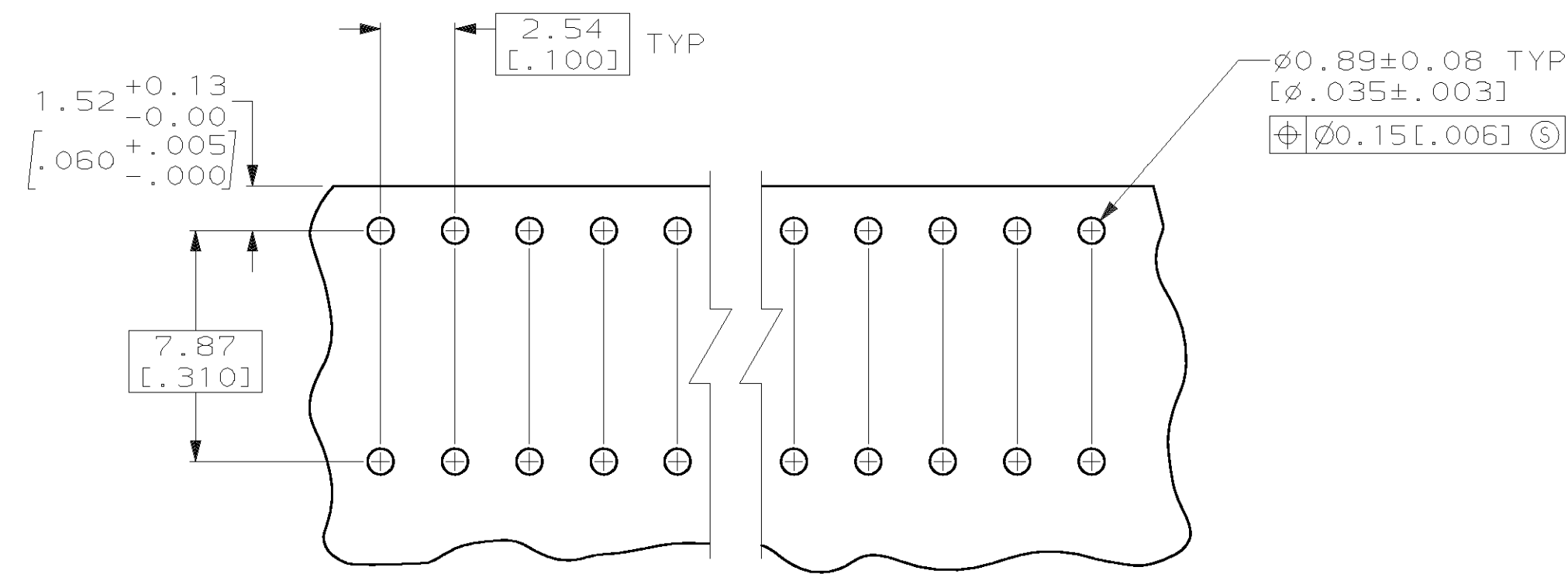
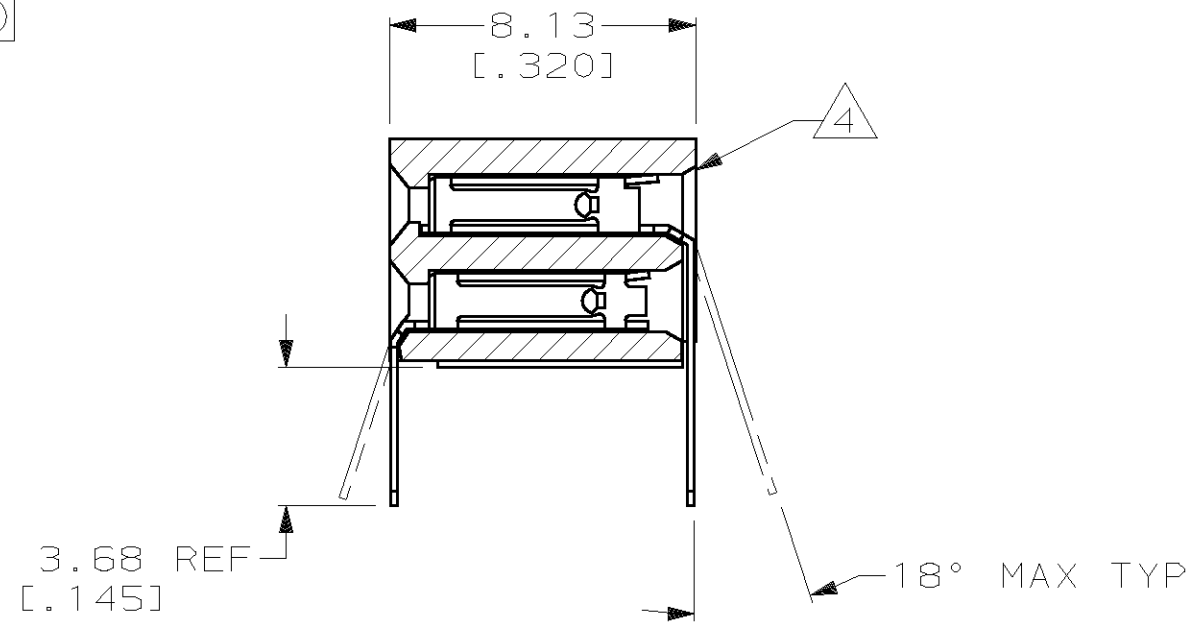
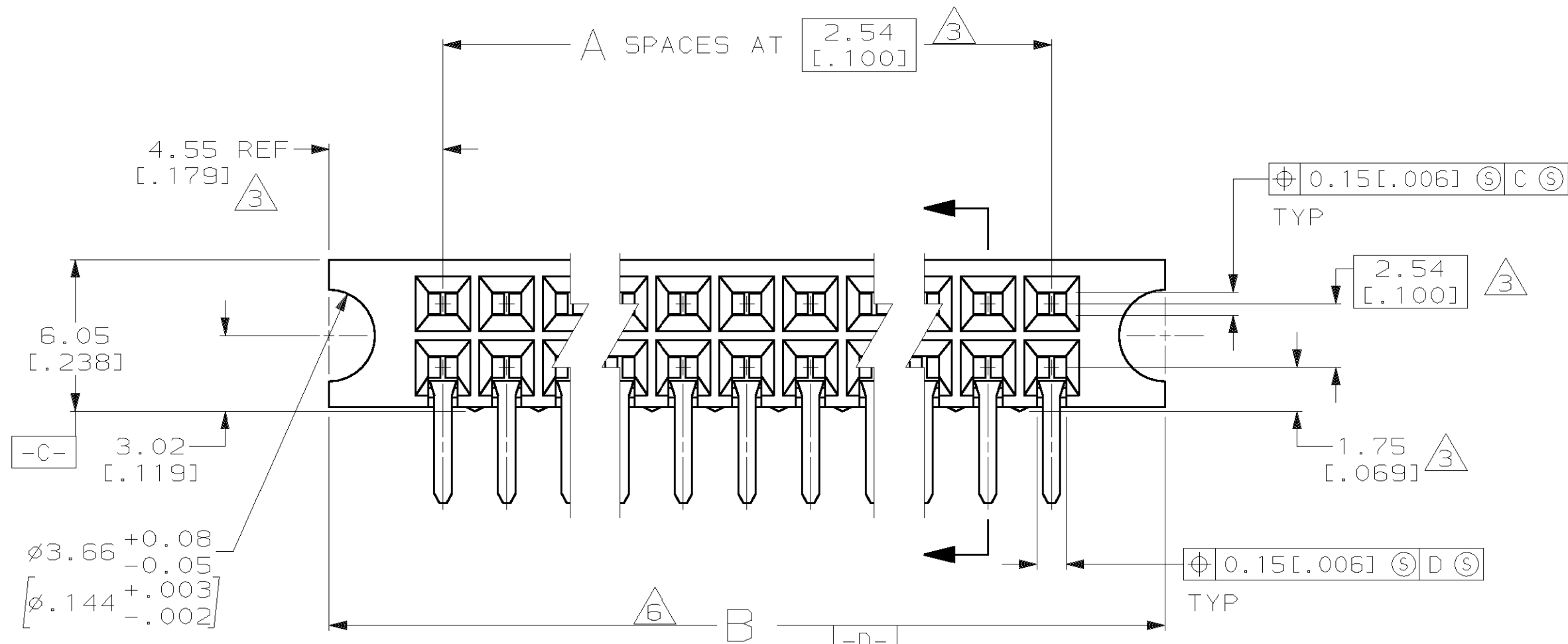
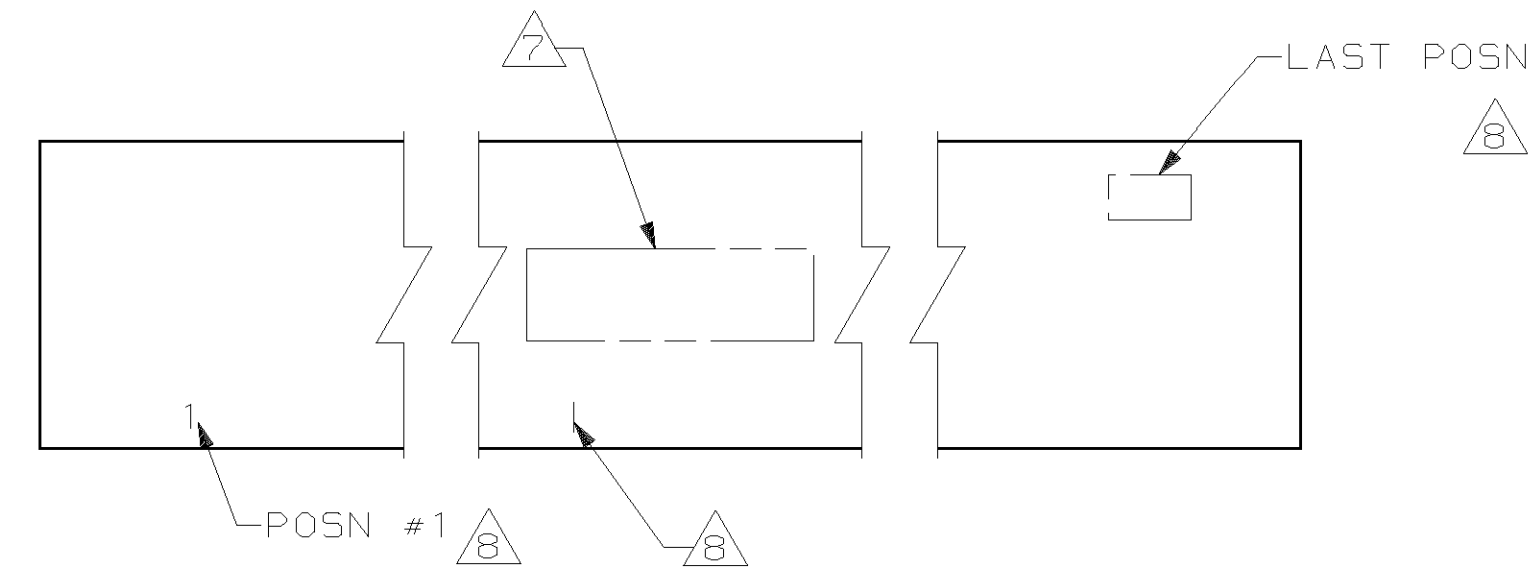


REVISIONS									
LOC	DIST	P	F	ZONE	LTR	DESCRIPTION	DATE	APPD	
DF	ZO					REV PER 063D-0408-00	CT	1-01	DN

1. QUALITY CONFORMANCE INSPECTION PER MIL-C-55302 (GROUP A, B & C).
2. PACKAGED PER MIL-C-55302
3. THESE DIMENSIONS PERTAIN TO CAVITY CENTERLINES ONLY, NOT TO CONTACT LOCATIONS.
4. SLOT OPTIONAL AT INDICATED AREA OF HOUSING.
5. CONTACTS: 0.00127[.000050] GOLD OVER 0.000762 TO 0.00381 [.000030 TO .000150] NICKEL ENTIRE CONTACT.
6. TOLERANCE TO CENTER OR RADIUS IS ± 0.15 [.006], TO END OF BLOCK ± 0.51 [.020].
7. MARK IN APPROXIMATE AREA SHOWN
 EXAMPLE: AMP PART NO
 DATE CODE MILITARY PART NUMBER
8. CHARACTERS MARKED IN AREA SHOWN, EVERY FIFTH POSITION MARKED WITH A BAR
9. "CSA" LOGO MARKED ON HOUSING.



RECOMMENDED PC BOARD HOLE LAYOUT

M55302/128-DL2D	158.95 [6.258]	59	120	1-102196-1
M55302/128-DA2D	133.55 [5.258]	49	100	1-102196-0
M55302/128-CG2D	108.15 [4.258]	39	80	102196-9
M55302/128-BH2D	70.05 [2.758]	24	50	102196-8
M55302/128-DB2D	136.09 [5.358]	50	102	102196-7
M55302/128-AM2D	39.57 [1.558]	12	26	102196-6
M55302/128-AK2D	34.49 [1.358]	10	22	102196-5
M55302/128-BN2D	82.75 [3.258]	29	60	102196-4
M55302/128-BK2D	75.13 [2.958]	26	54	102196-3
M55302/128-BM2D	80.21 [3.158]	28	58	102196-2
M55302/128-CJ2D	113.23 [4.458]	41	84	102196-1
MILITARY PART NUMBER	B	A	NO OF POSN	PART NUMBER

DO NOT SCALE PRINT. UNLESS SPECIFIED DIMENSIONS IN mm [INCHES] TOLERANCES ON: 2 PLC DEC ± 0 3 PLC DEC ± 0.25[.010] ANGLES ± -	DR 5-1-91 J GALLUCCI BG CHK 10-24-91 R. BENDORF APPD 10-24-91 R. BENDORF APPD 10-25-91 D. DIXON PRODUCT SPEC - APPLICATION SPEC - WEIGHT -	AMP AMP Incorporated Harrisburg, PA 17105-3508 NAME ASSEMBLY, HOUSING, MOD 11, DOUBLE ROW, WITH GUIDE PIN EARS, SHORT POINT CONTACTS SIZE D CAGE CODE 00779 DRAWING NO 102196 SCALE 5:1 SHEET 1 OF 1
--	--	--