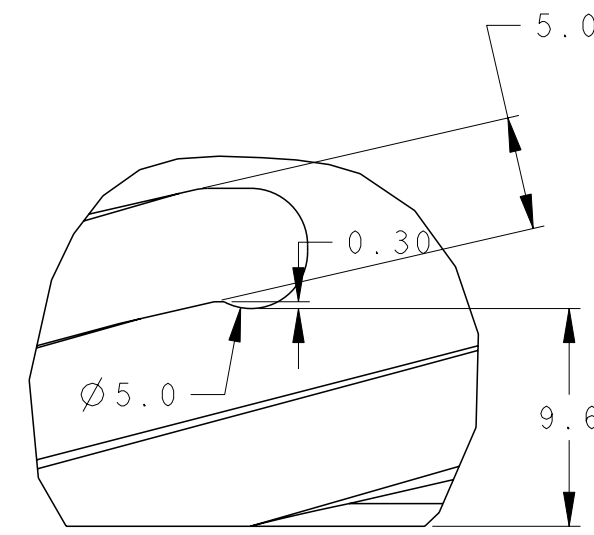
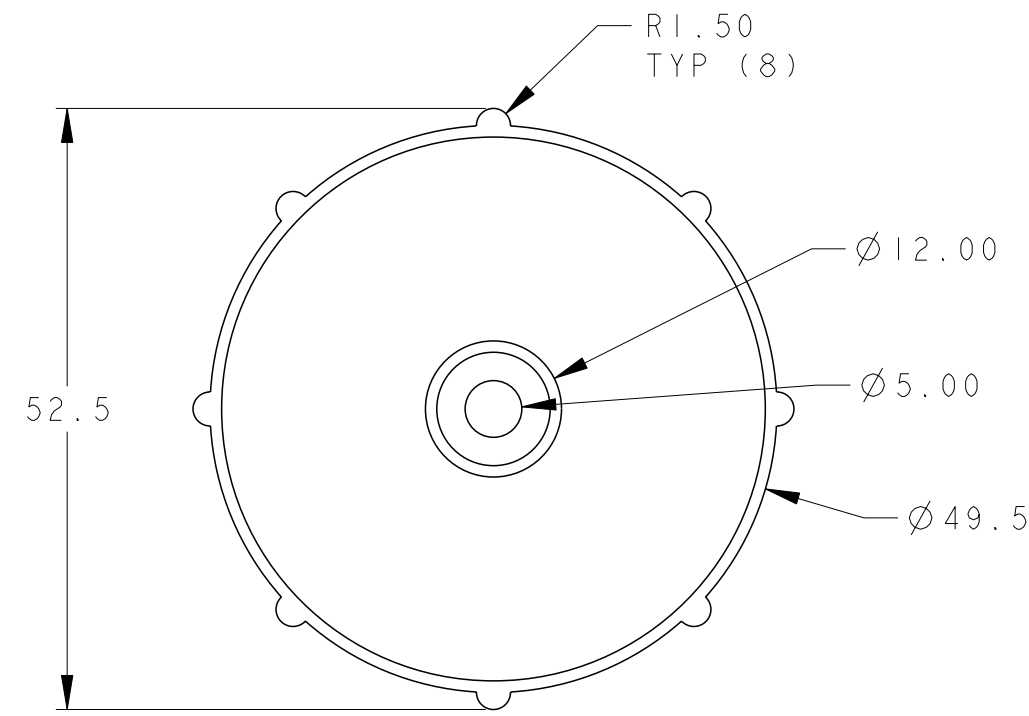
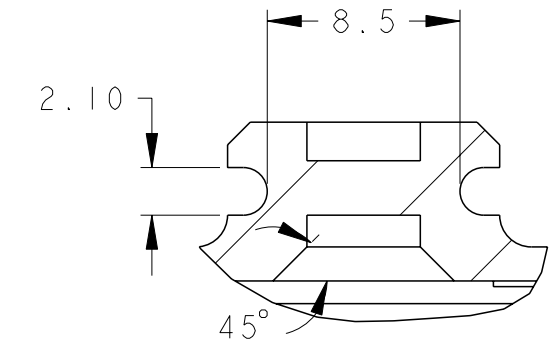


THIS DRAWING IS UNPUBLISHED. RELEASED FOR PUBLICATION 20
 © COPYRIGHT 20 BY - ALL RIGHTS RESERVED.

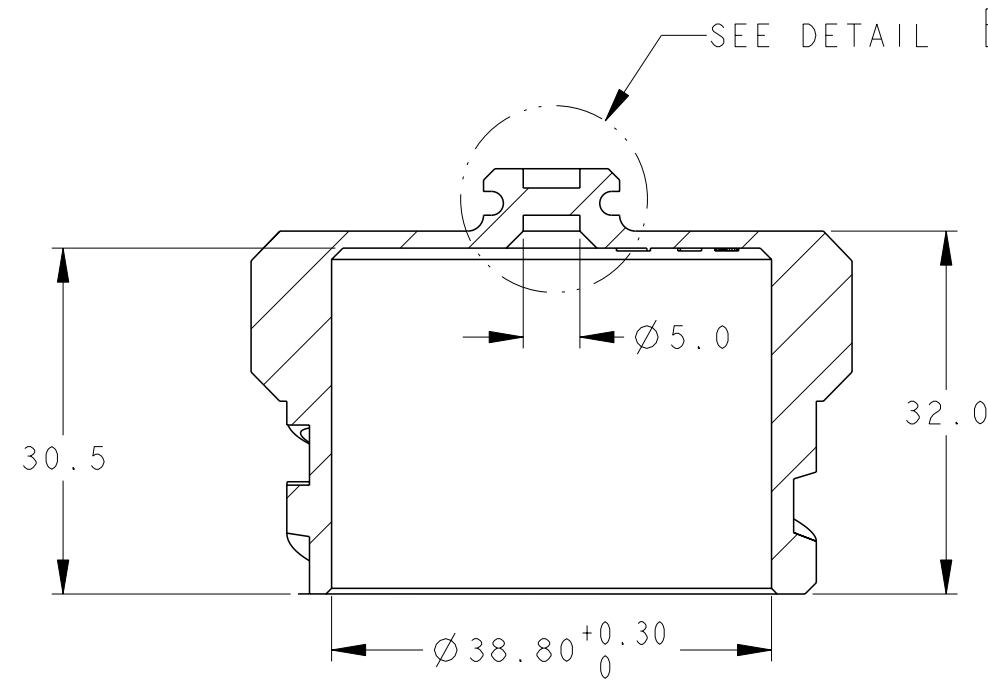
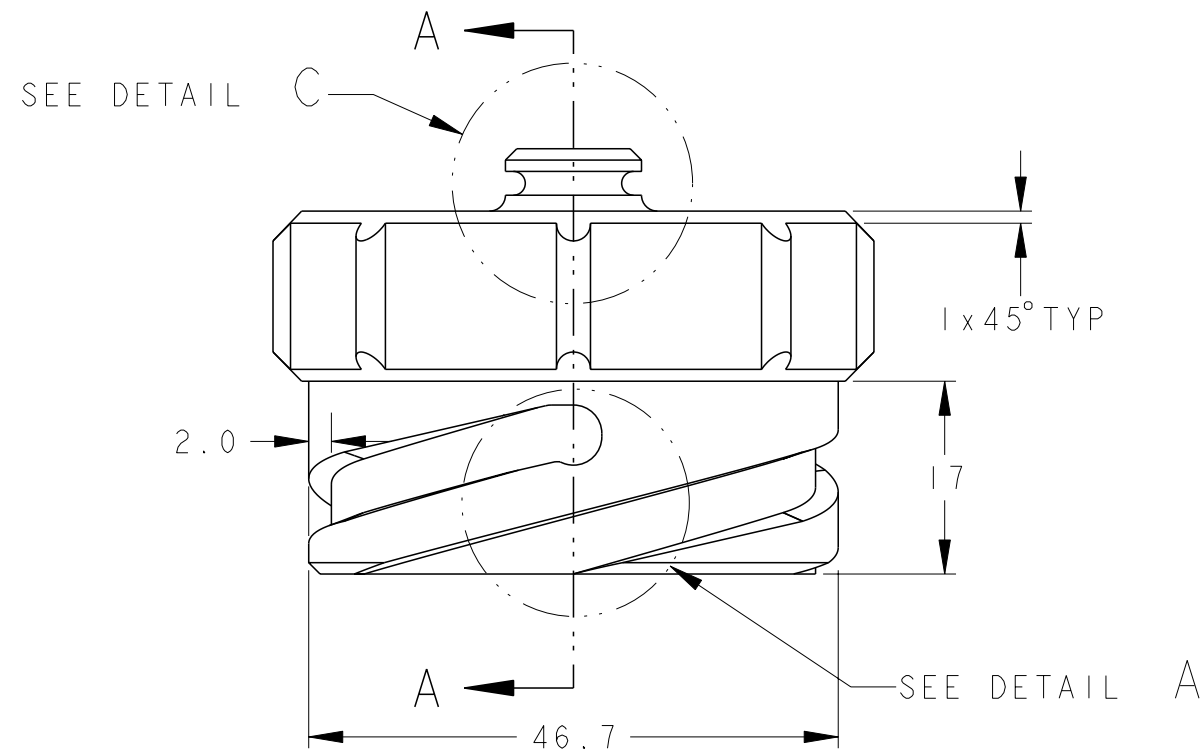
LOC	DIST	REVISIONS					
B	E	P	LTR	DESCRIPTION	DATE	DWN	APVD
		B		ECR-12-017180	01/10/12	MJG	DP



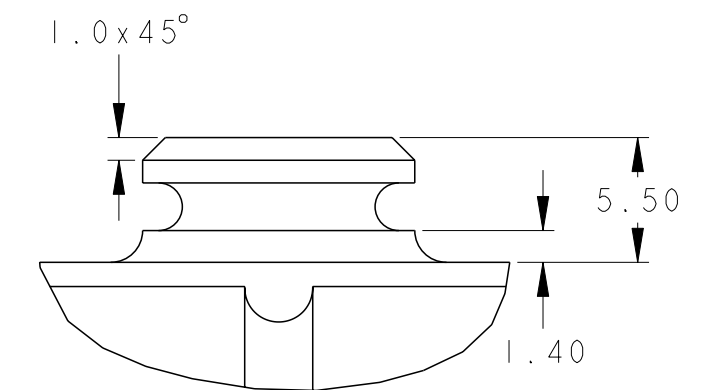
DETAIL A
SCALE 3:1



DETAIL B
SCALE 3:1

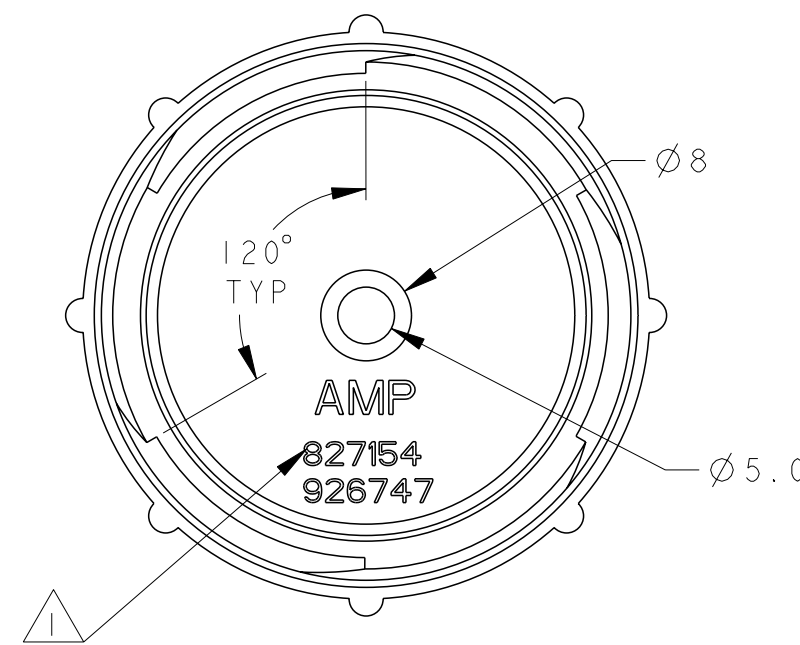


SECTION A-A



DETAIL C
SCALE 3:1

NOTES
 ⚠ TRADE MARK AND PART NUMBER



BLACK	PA66 GB20 GF10	926747-1
COLOUR	MATERIAL	PART NO

		TE Connectivity	
		NAME SEALING CAP FOR PLUG	
SIZE	CAGE CODE	DRAWING NO	RESTRICTED TO
A200779	C-926747		-
CUSTOMER DRAWING		SCALE NTS	SHEET 1 OF 1 REV B

THIS DRAWING IS A CONTROLLED DOCUMENT.		DWN M. GREENER 01/10/12
DIMENSIONS: mm		CHK J. AMBROSE 01/10/12
TOLERANCES UNLESS OTHERWISE SPECIFIED:		APVD D. PENNINGTON 01/10/12
0 PLC	±0.5	PRODUCT SPEC
1 PLC	±0.25	APPLICATION SPEC
2 PLC	±0.2	
3 PLC	±0.2	
4 PLC	±	
ANGLES	±2	WEIGHT
FINISH		
SEE TABLE		