

4

3

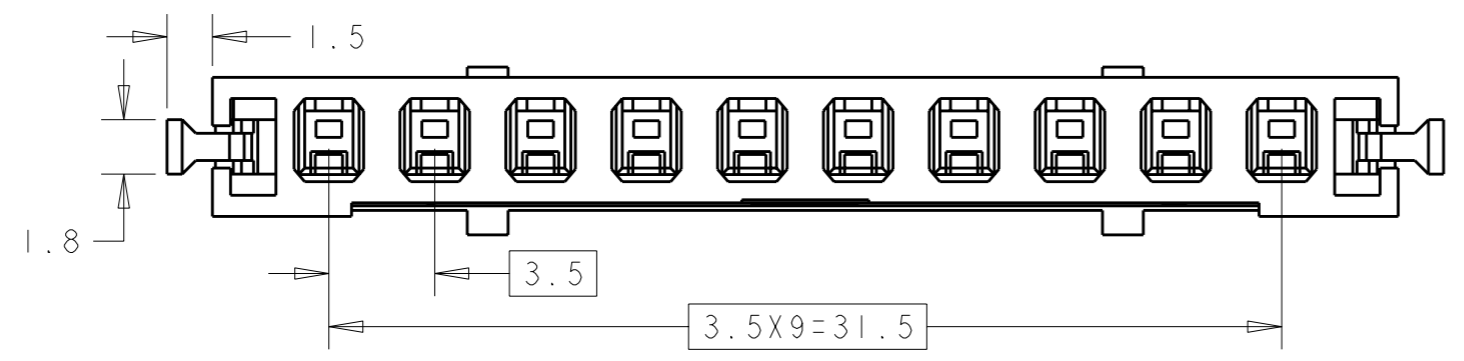
2

1

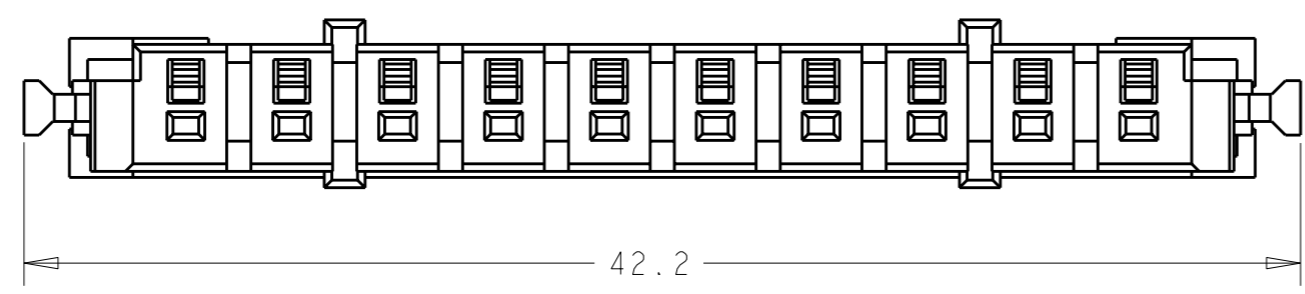
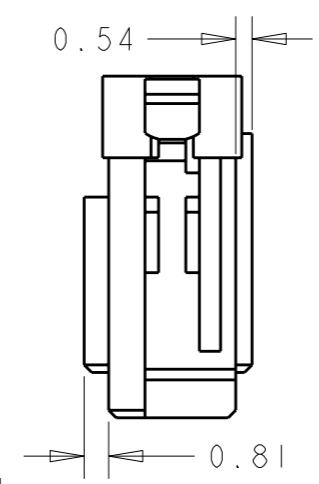
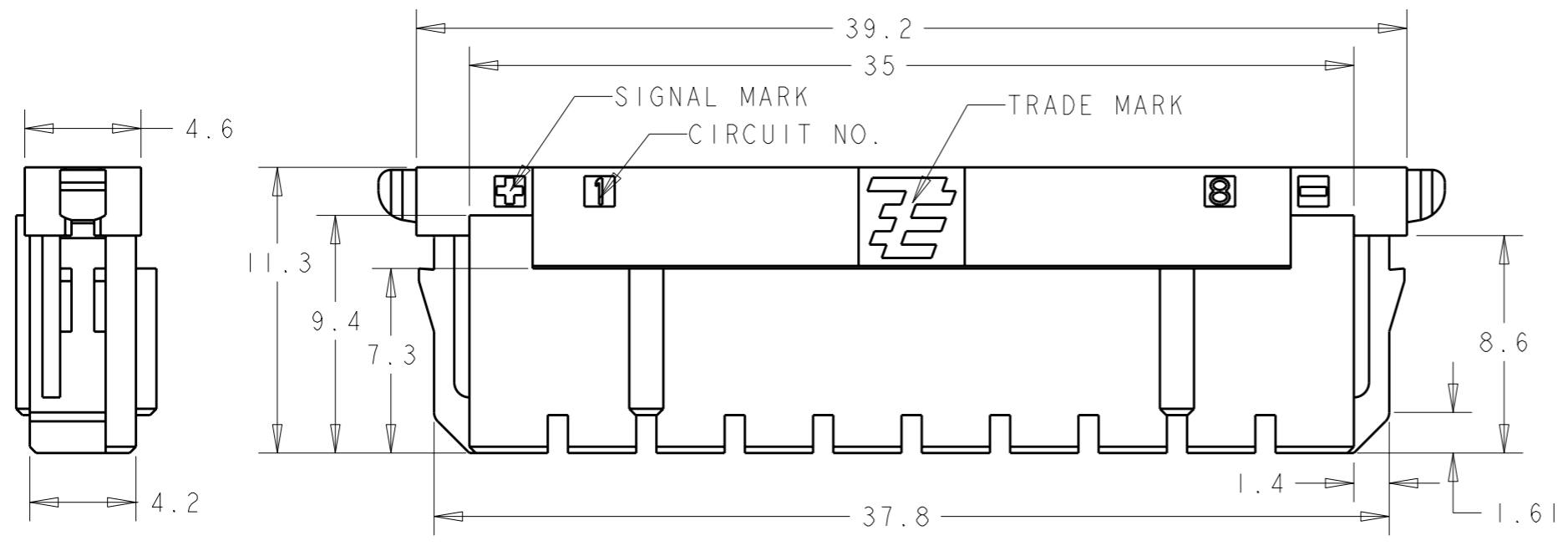
THIS DRAWING IS UNPUBLISHED. RELEASED FOR PUBLICATION 20
 © COPYRIGHT 20 BY TYCO ELECTRONICS CORPORATION. ALL RIGHTS RESERVED.

LOC ES DIST 00

| REVISIONS | | | | | |
|-----------|-----|---------------|-----------|-----|------|
| P | LTR | DESCRIPTION | DATE | DWN | APVD |
| | D | RELEASE | 30JUL2008 | DC | JZ |
| | D1 | ECR-09-017652 | 6AUG2009 | LL | JZ |
| | D2 | ECR-11-013739 | 01JUL2011 | LL | SL |



NOTE:
 1. MATERIAL: PBT UL94V-0
 2. COLOR: BLACK
 3. GENERAL TOL: +/- 0.25.



THIS DRAWING IS A CONTROLLED DOCUMENT FOR TYCO ELECTRONICS CORPORATION
 IT IS SUBJECT TO CHANGE AND THE CONTROLLING ENGINEERING ORGANIZATION
 SHOULD BE CONTACTED FOR THE LATEST REVISION.

| | | | |
|-------------------|---|--|---|
| DIMENSIONS: mm | | TOLERANCES UNLESS OTHERWISE SPECIFIED: | |
| | | 0 PLC | ± |
| | | 1 PLC | ± |
| | | 2 PLC | ± |
| | | 3 PLC | ± |
| | | 4 PLC | ± |
| ANGLES | ± | | |
| MATERIAL | - | FINISH | - |

| | |
|------------------|-------------|
| DWN | 30JUL2008 |
| CHK | DIGO CHEN |
| CHK | SAM WU |
| APVD | 30JUL2008 |
| APVD | JULIAN ZHOU |
| PRODUCT SPEC | 108-106027 |
| APPLICATION SPEC | - |
| WEIGHT | - |
| CUSTOMER DRAWING | |

| | | | | | |
|--|--|------------|--|---------------|--|
| Tyco Electronics Shanghai China | | NAME | | RESTRICTED TO | |
| REC 10P PLUG HOUSING FOR JUNCTION BOX DI500 | | SIZE | | - | |
| A300779 | | DRAWING NO | | C-1971150 | |
| SCALE 4:1 | | SHEET 1 | | OF 1 | |
| REV D2 | | | | | |