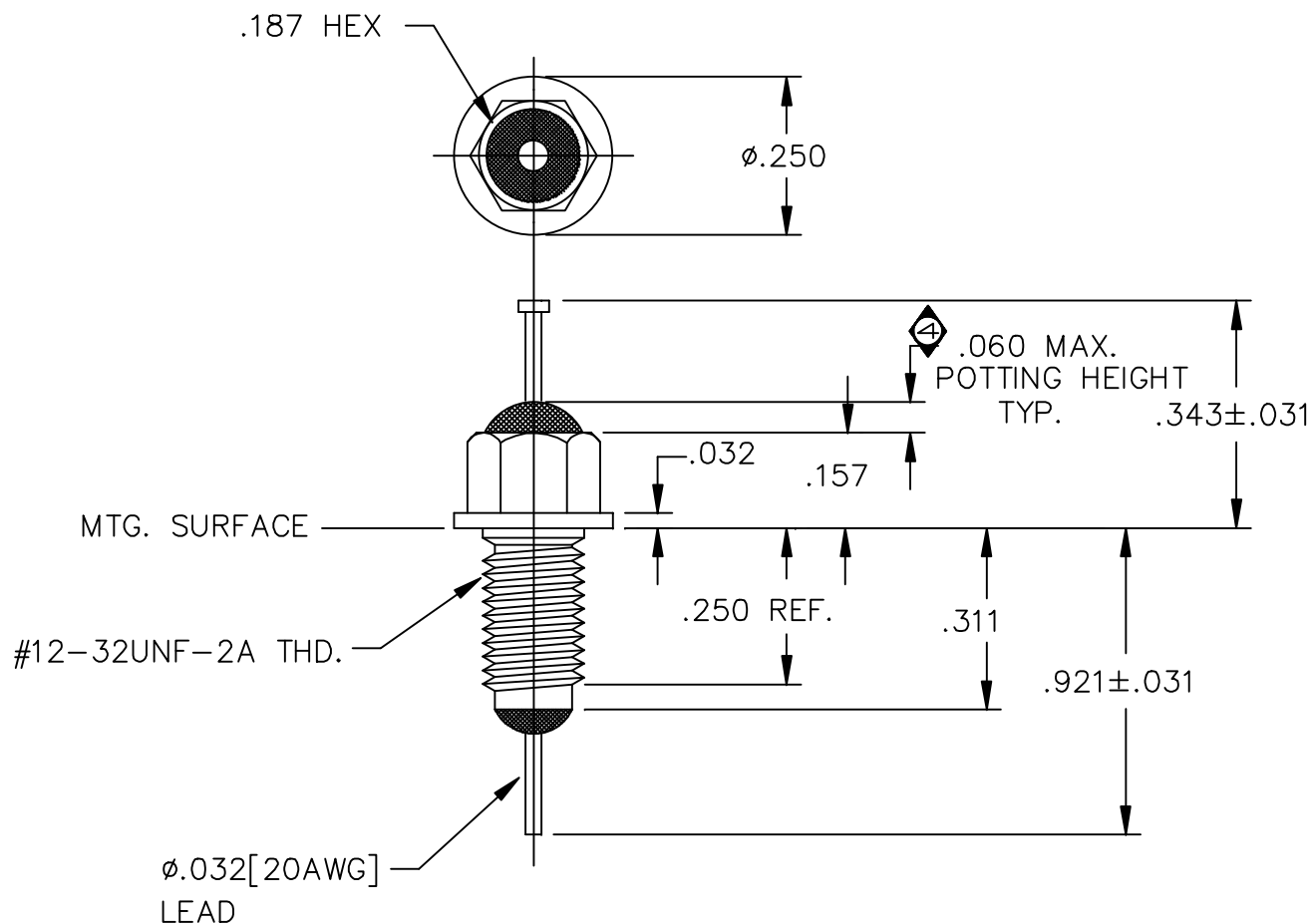


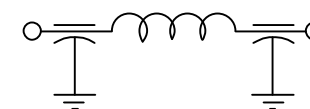
NOTES:

1. MAX. MOUNTING TORQUE = 6 lb-in.
2. HARDWARE IS INCLUDED.



LEAD FINISH	SOLDER
BUSHING FINISH	SILVER
CAPACITANCE	0.012uF MIN.
TEMP. RANGE	-55°C TO 125°C
CURRENT	10 AMP MAX.
WORKING VOLTAGE	85°C 200 VDC MAX. 125°C 200 VDC MAX
D.C. RESISTANCE	.01ohms MAX.
MIN. I.L. PER MIL-STD-220 AT 25°C NO LOAD	
FREQ. MHz	I.L. (db)
10	27
30	30
100	70
1 GHz	70
10 GHz	70

SCHEMATIC



MARKING:

PART: S3323000
 BAG: SCI-3323-000
 DATE CODE
 QTY.

	4	3	2	REV. NO.	TOLERANCES UNLESS OTHERWISE SPECIFIED
	CN 25795-CPD	CN 22021-CPD	CN 183503	CHANGE NOTICE	Fractions ± 1/64
					Dec. .xx±
					Dec. .xxx±.010
					Angles ±0° 30'
					CODE IDENT. NO. 0LSP2

SPECTRUM CONTROL INC.

FAIRVIEW PENNSYLVANIA	
Dwn. SLAGLE	Description Pi
Ckd. 2/17/98	RESIN SEAL FILTER
Scale NONE	SCI-3323-000

