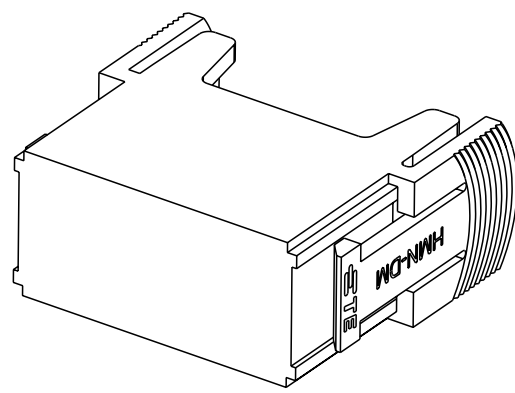
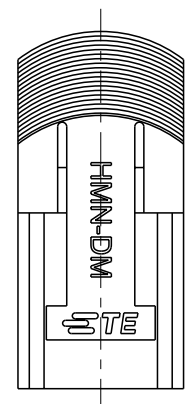
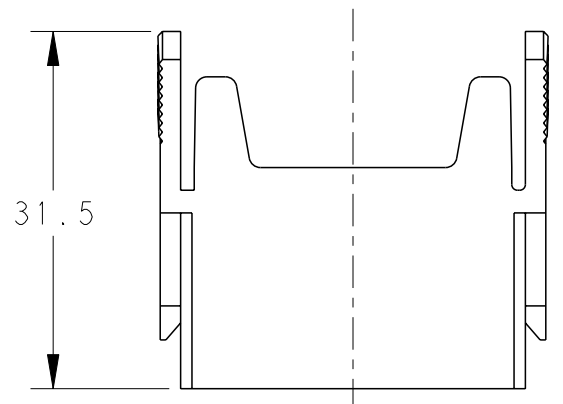
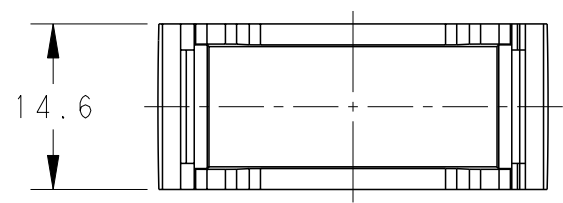


THIS DRAWING IS UNPUBLISHED. RELEASED FOR PUBLICATION 20  
 © COPYRIGHT 20 BY - ALL RIGHTS RESERVED.

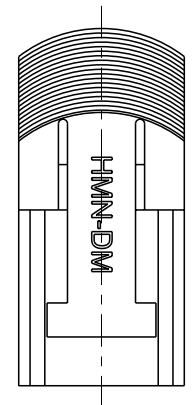
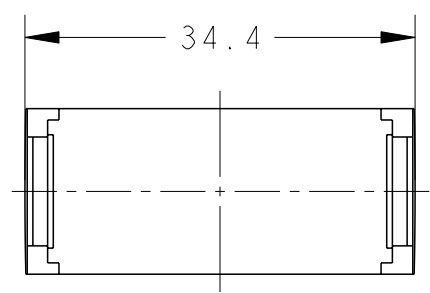
REVISIONS					
P	LTR	DESCRIPTION	DATE	DWN	APVD
	A	INITIAL	20APR2015	DW	CW
	A1	ECR-16-000089	05JAN2016	DW	CW



T3110009902-000 SHOWN  
带TE LOGO



T3110009902-000 SHOWN  
带TE LOGO


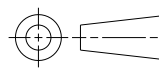


T3110009902-001 SHOWN, ALL DIMENSIONS ARE SAME AS T3110009902-000, EXCEPT WITHOUT LOGO  
不带 LOGO

NOTES:  
 1. TECHNICAL CHARACTERISTICS:  
 INSULATION MATERIAL: PC  
 OPERATION TEMPERATURE: -40°C~+125°C  
 BLIND MODULE

注释:  
 1. 技术参数:  
 绝缘材料: PC  
 工作温度: -40°C~+125°C  
 空白模块

T3110009902-001	HMN-DM WITHOUT LOGO
T3110009902-000	HMN-DM WITH LOGO
PART NUMBER	DESCRIPTION

THIS DRAWING IS A CONTROLLED DOCUMENT.		DWN	20APR2015	 TE Connectivity NAME HMN-DM	
		CHK	20APR2015		
		APVD	20APR2015		
		PRODUCT SPEC	-		
DIMENSIONS: mm 		TOLERANCES UNLESS OTHERWISE SPECIFIED: 0 PLC ±- 1 PLC ±- 2 PLC ±- 3 PLC ±- 4 PLC ±- ANGLES ±-		APPLICATION SPEC	-
MATERIAL		FINISH		WEIGHT	-
-		-		Customer Drawing	SCALE 3:2

SIZE	CAGE CODE	DRAWING NO	RESTRICTED TO
A3	00779	T3110009902000	-