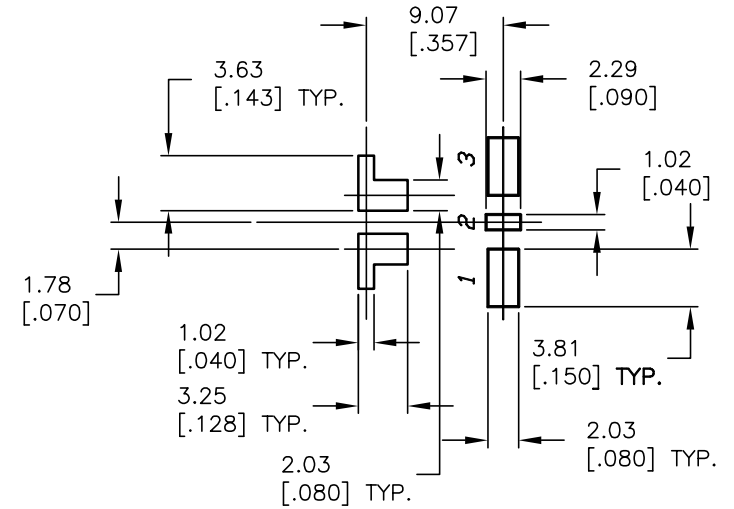
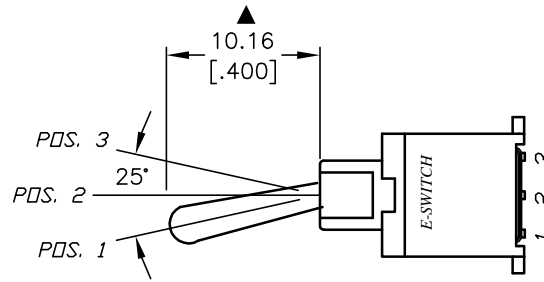
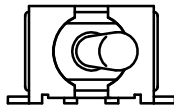


CIRCUIT: SPDT

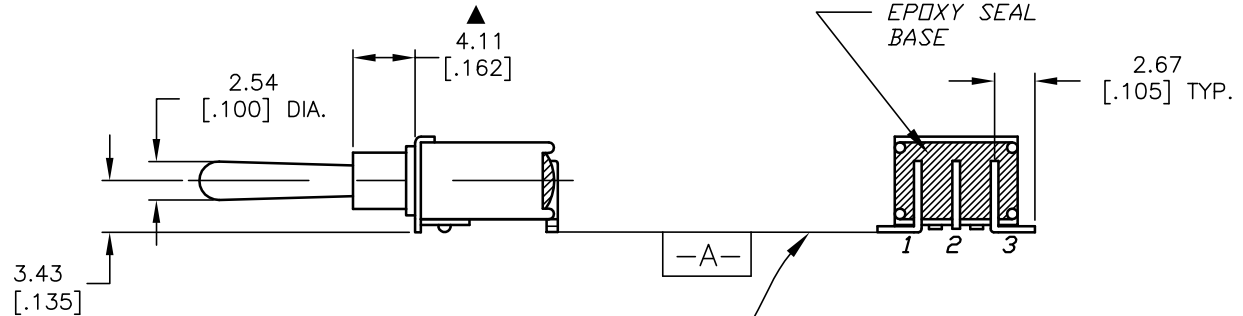
CONTACT CONFIGURATION

SWITCH FUNCTION		
PDS. 1	PDS. 2	PDS. 3
<DN>	OFF	<DN>
2-3	OPEN	2-1

<DN> = MOMENTARY



RECOMMEND MOUNTING LAYOUT



COPLANAR WITHIN 0.10 [.004] TOTAL.

NOTES:

1. ALL DIMENSIONS IN MM [INCH]
2. GENERAL TOLERANCE: 0.0=±0.4
0.00=±0.25
3. TERM. NOS. FOR REF. ONLY
- ▲ 4. CONTACT RATING: 0.4 VA max. @20 VAC or DC max.
5. FIXED TERMINAL & MOVING CONTACT: Cu alloy w/Au plate over Ni plate.
6. ELECTRICAL LIFE: 50,000 make-and-break cycle at full load.
7. DIELECTRIC STRENGTH: 1,000 V RMS @sea level.
8. OPERATING TEMP.: -30°C to 85°C
- ▲ 9. PACKAGING: TAPE AND REEL
10. ▲ DENOTES CRITICAL PARAMETER.

E-SWITCH®

TITLE					200BWMSP4T1A1SM6RE				
SCALE	2:1	DATE	9/23/03	DR	AR	DWG	T833040	REV	A

THE INFORMATION CONTAINED IN THIS DOCUMENT IS PROPRIETARY TO E-SWITCH AND IS NOT TO BE COPIED OR TRANSFERRED