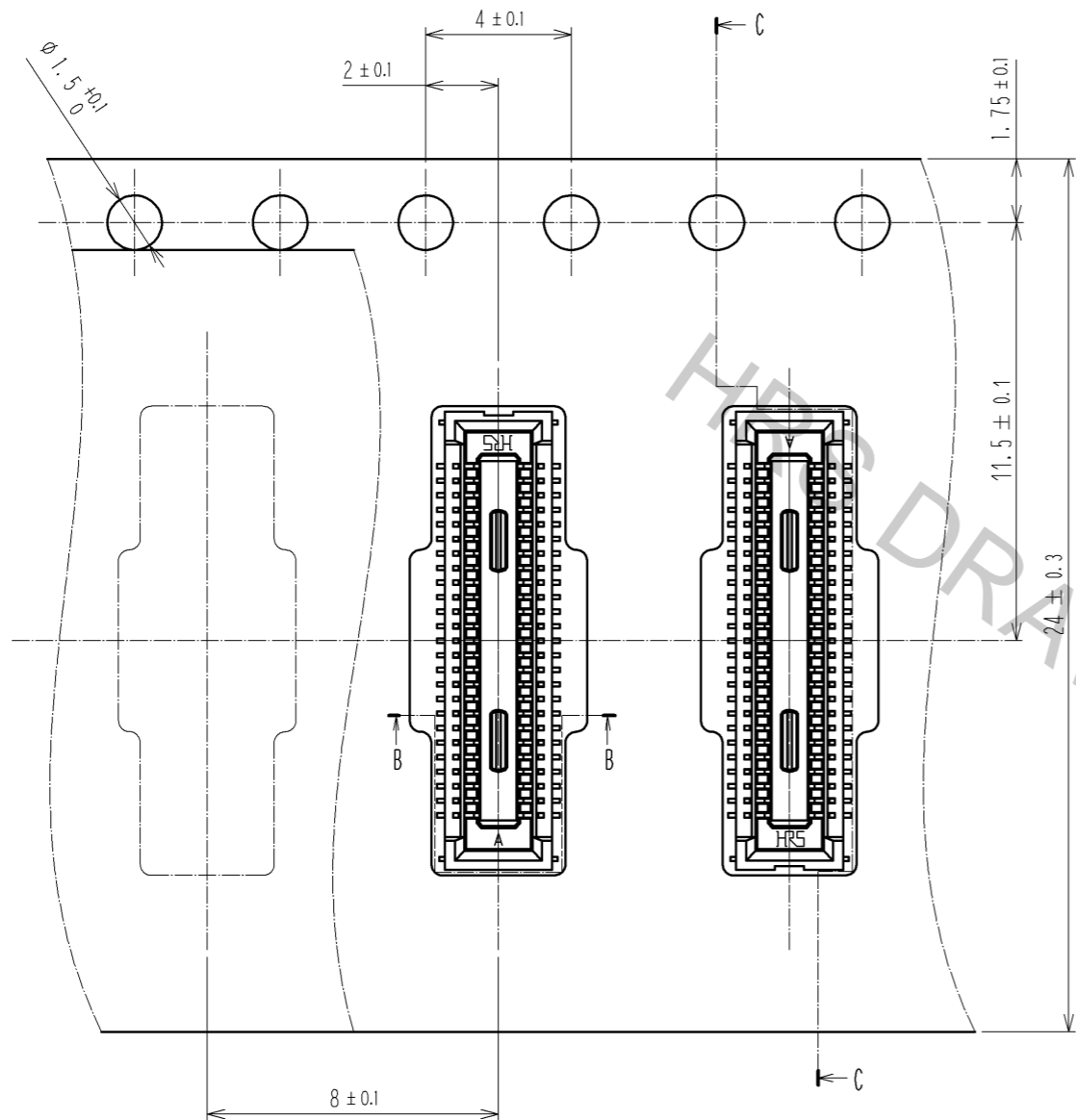


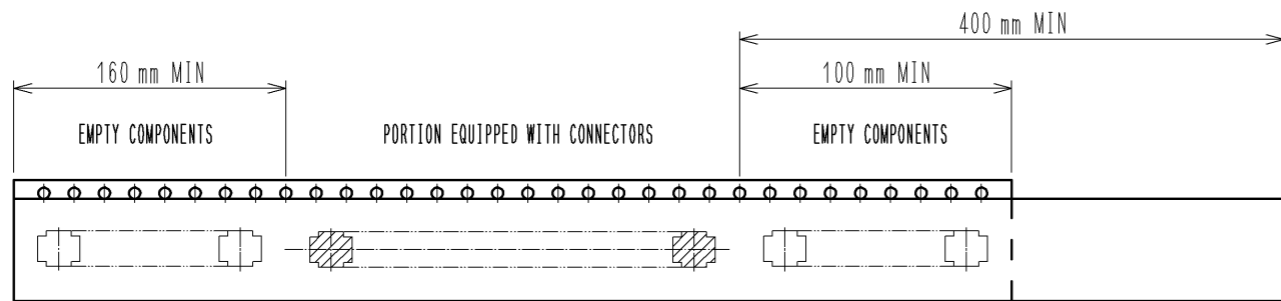
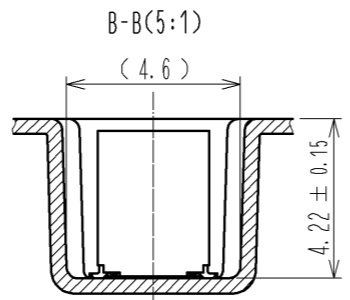
NOTE 1. ALL LEADS CO-PLANARITY SHALL BE 0.1 MAX.  
 2 IS NO PATTERN AREA OTHER THAN THE SAME CIRCUIT.  
 3 HRS MARK AND CAV NO. IS INDICATED IN APPROXI POSITION SHOWN.  
 4 GATE POSITION IS POSITIONED IN APPROXIMAL AREA SHOWN.

2	PHOSPHOR BRONZE	CONTACT AREA: GOLD 0.05 μm MIN	6	PS	BLACK		
		SMT LEAD: GOLD 0.05 μm MIN	5	POLYESTER	CLEAR, COVER TAPE		
		UNDERPLATING: NICKEL 1 μm MIN	4	PS	CLEAR, EMBOSSED CARRIER TAPE		
1	LCP	BLACK, UL94V-0	3	PHOSPHOR BRONZE	GOLD 0.05 μm MIN		
NO.	MATERIAL	FINISH . REMARKS	NO.	MATERIAL	FINISH . REMARKS		
UNITS mm		SCALE 10 : 1	COUNT △	DESCRIPTION OF REVISIONS	DESIGNED	CHECKED	DATE
<b>HRS</b> HIROSE ELECTRIC CO., LTD.		APPROVED : KH. IKEDA	08. 11. 06	DRAWING NO. EDC3-317393-01			
		CHECED : TS. MIYAZAKI	08. 11. 06	PART NO. DF40HB(4.0)-50DS-0.4V(51)			
		DESIGNED : TK. SUZUKI	08. 11. 05	CODE NO. CL684-4104-0-51			
		DRAWN : TK. SUZUKI	08. 11. 05			△ 1/2	

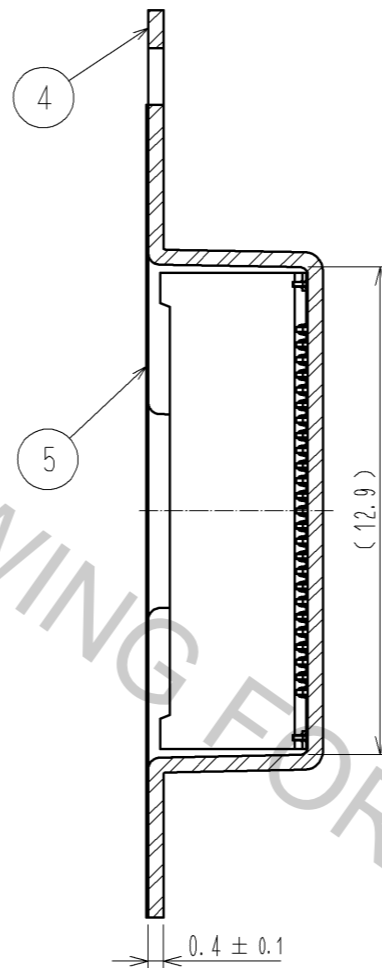
EMBOSSED CARRIER TAPE PACKAGING (5:1)



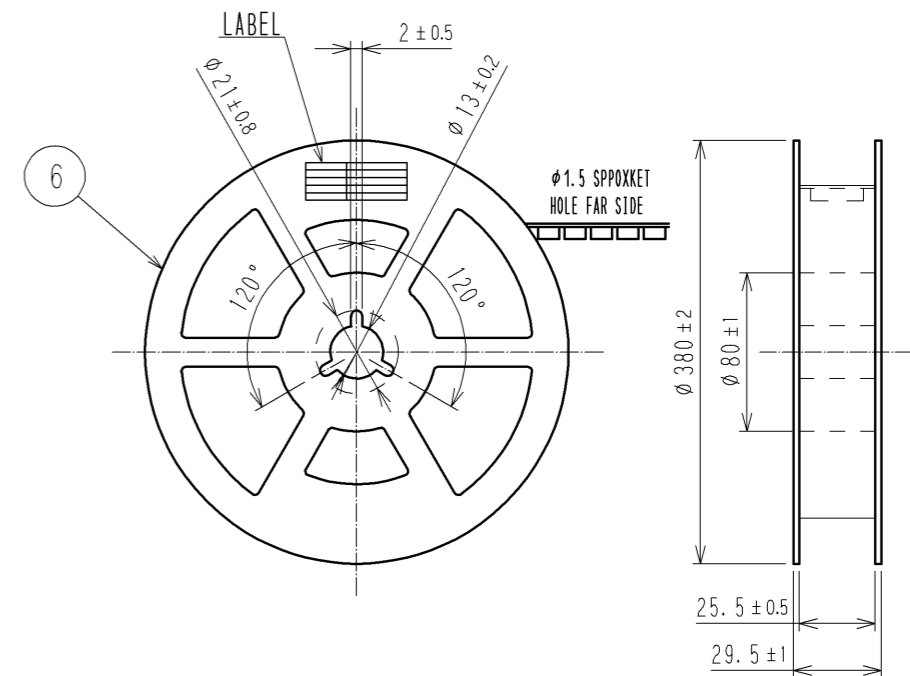
DIRECTION OF UNREELING  $\rightarrow$



C-C (5:1)



STYLE AND DIMENSION OF REEL (FREE SIZE)



8 > DETAIL OF PART NO. LABEL

製造年月日	** ** *
製品コード	CL684-4104-0-51
製品名	DF40HB(4.0)-50DS-0.4V(51)
数量	2000
納入者	ヒロセ電機(株)

- NOTES )
- PER REEL 2000 CONNECTORS.
  - THE DIMENSIONS IN PARENTHESES ARE FOR REFERENCE.
  - REFER TO JIS C 0806(PACKING OF COMPONENTS FOR AUTOMATIC HANDLING)
  - DETAIL OF PART NO. LABEL IS WRITTEN IN JAPANESE.
- PRODUCTION DATE:  
 PRODUCT CODE: CL684-4104-0-51  
 PART NUMBER: DF40HB(4.0)-50DS-0.4V(51)  
 NUMBER OF PIECES: 2000 PIECES  
 SUPPLIER NAME: HIROSE ELECTRIC CO., LTD.



DRAWING NO.	EDC3-317393-01	
PART NO.	DF40HB(4.0)-50DS-0.4V(51)	
CODE NO.	CL684-4104-0-51	$\triangle 2/2$