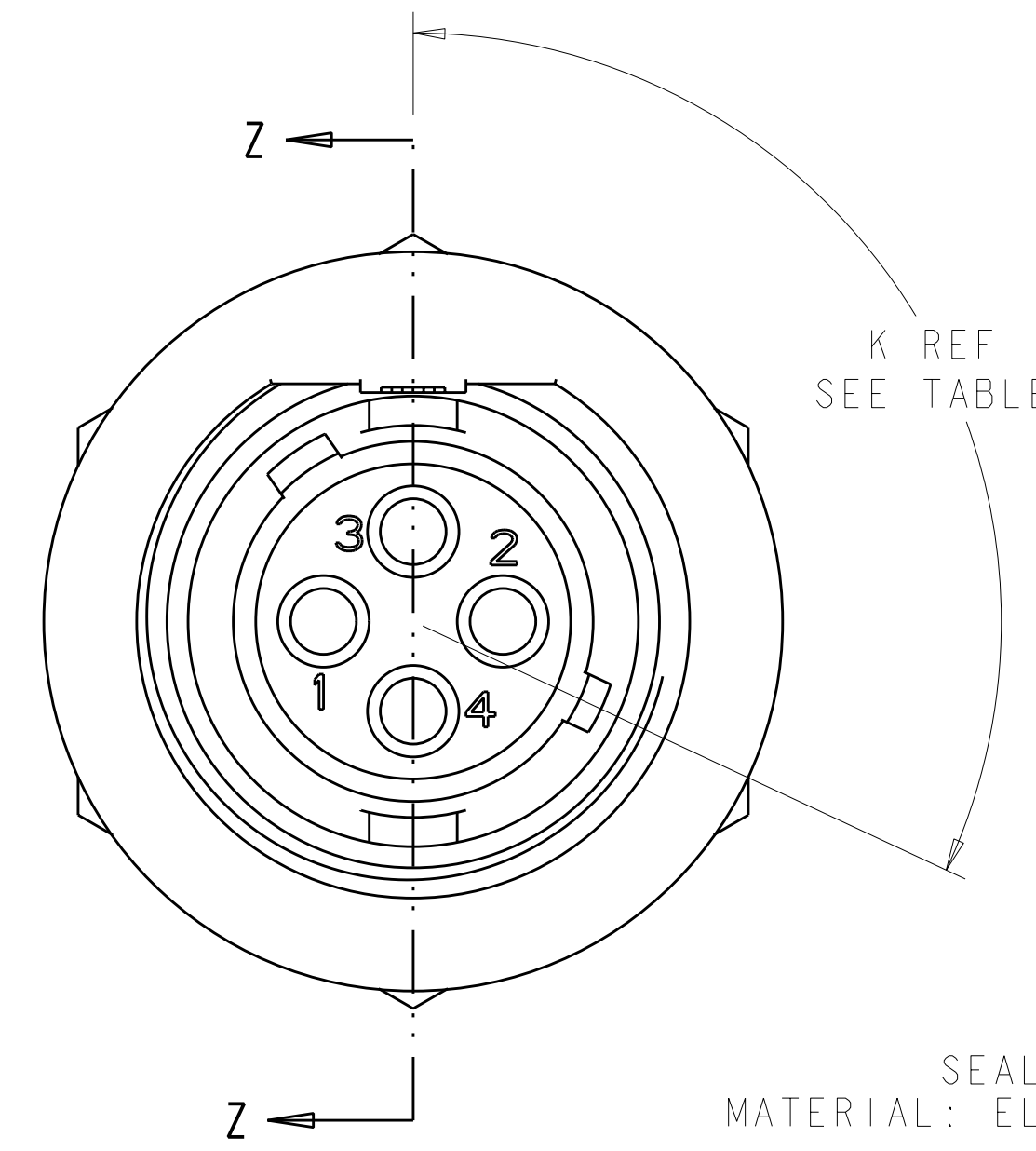
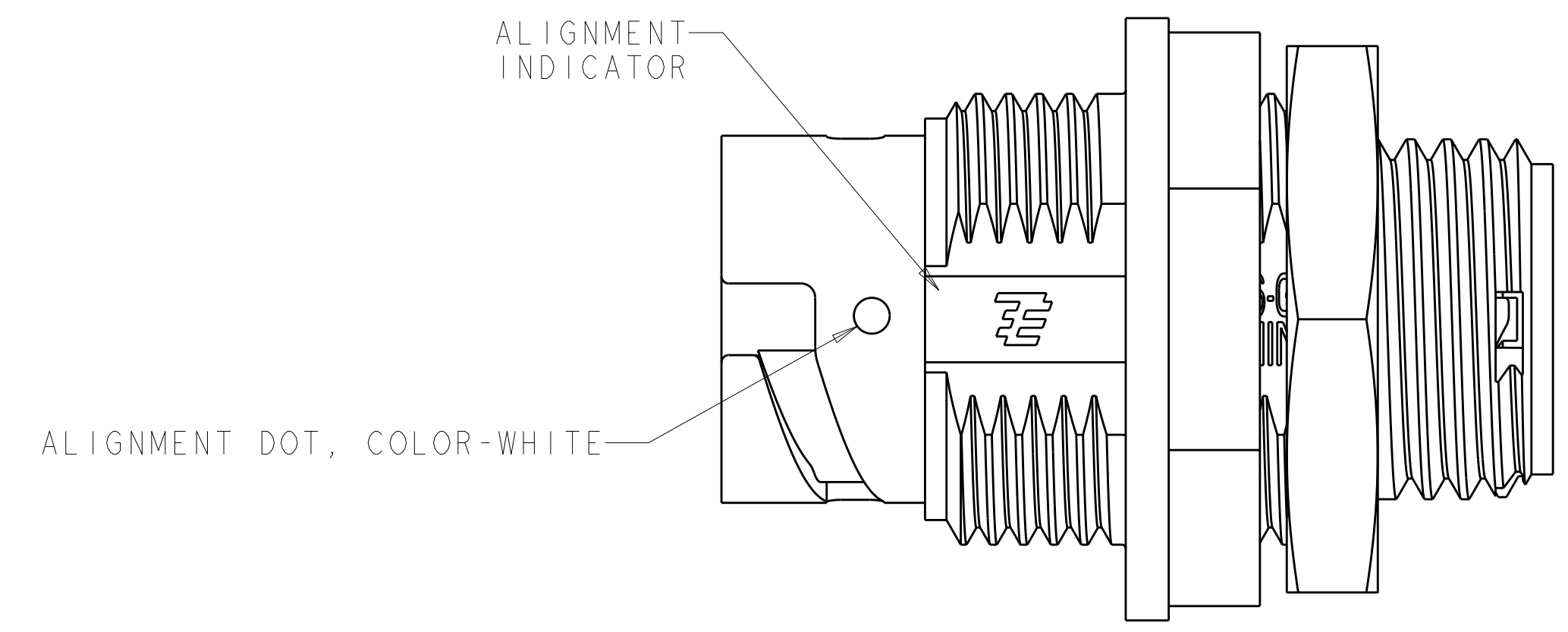
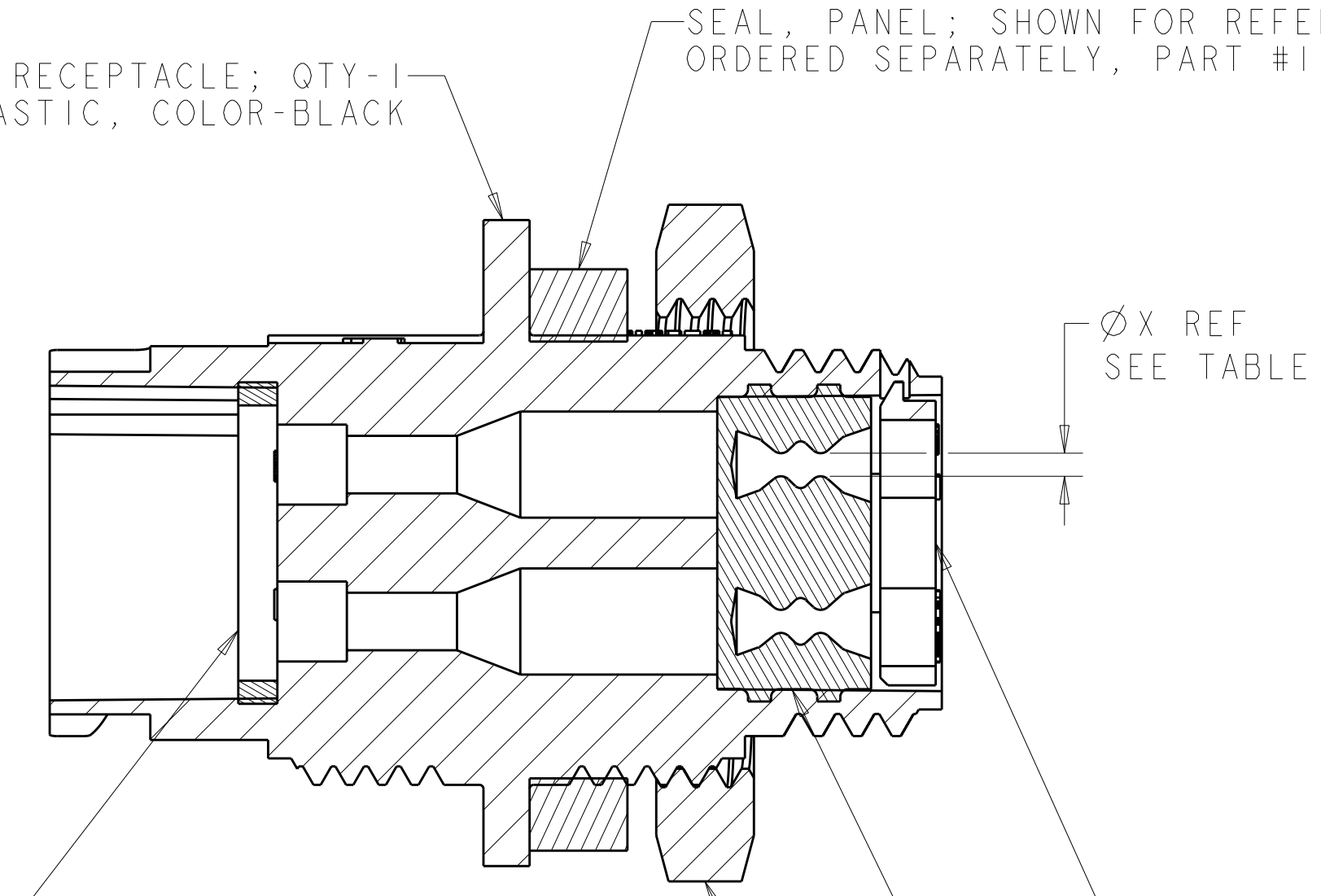


LOC		DIST		REVISIONS			
FT	0	P	LTR	DESCRIPTION	DATE	DWN	APVD
		B2		REVISED PER ECO-11-004820	11MAR2011	RK	HMR



HOUSING, RECEPTACLE; QTY-1  
 MATERIAL: THERMOPLASTIC, COLOR-BLACK

SEAL, PANEL; SHOWN FOR REFERENCE ONLY, TO BE ORDERED SEPARATELY, PART #1445420-01

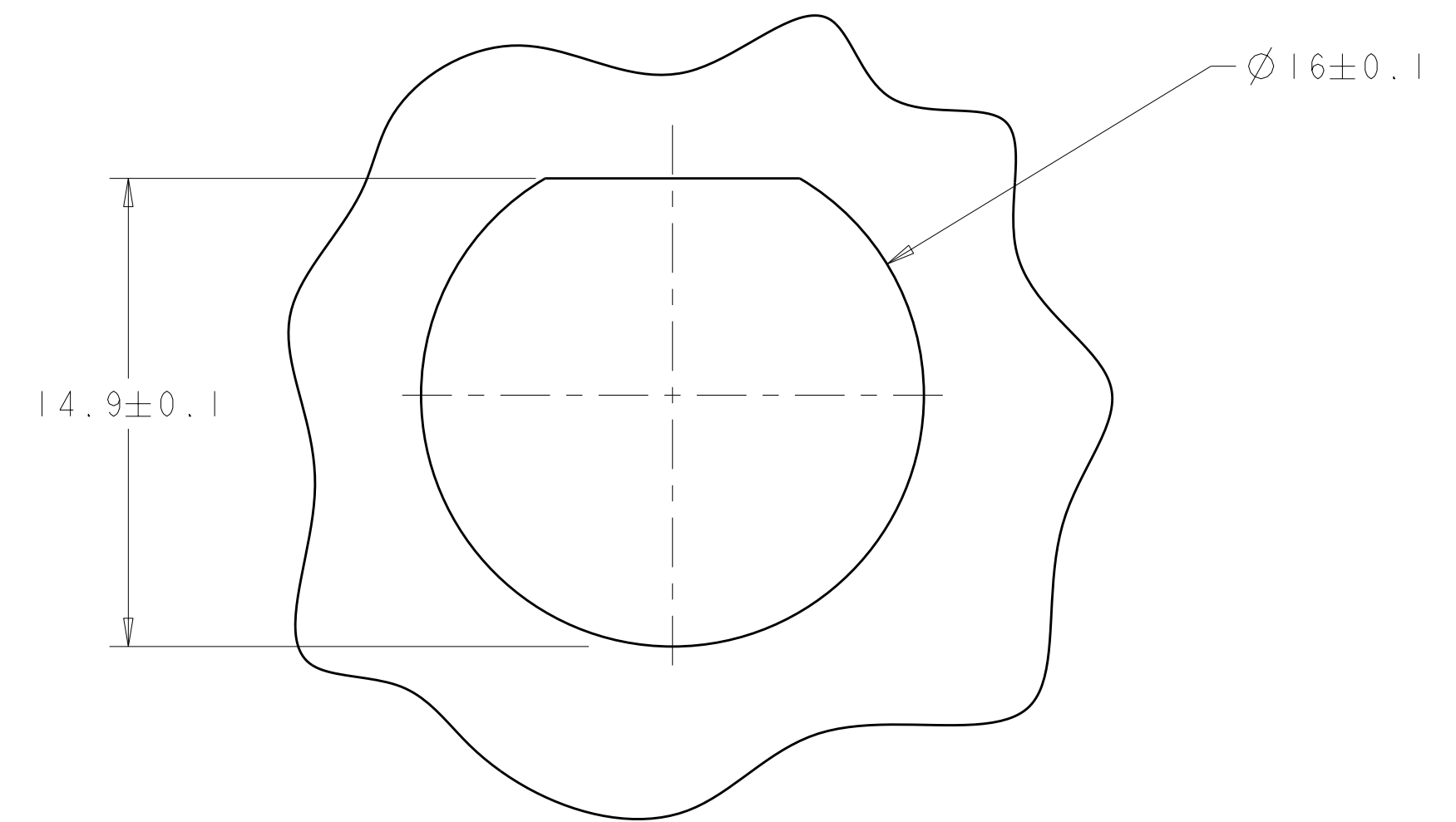
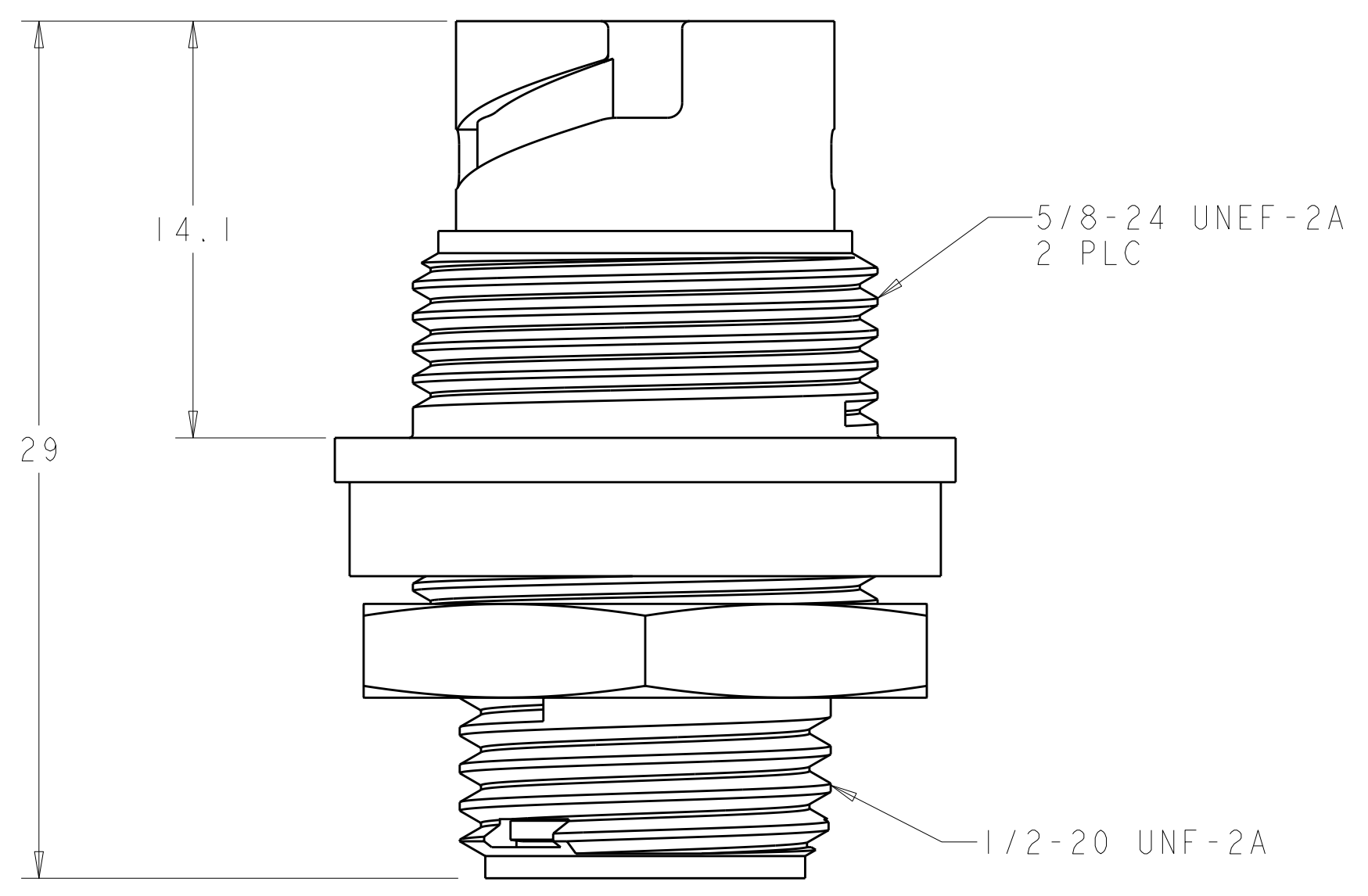
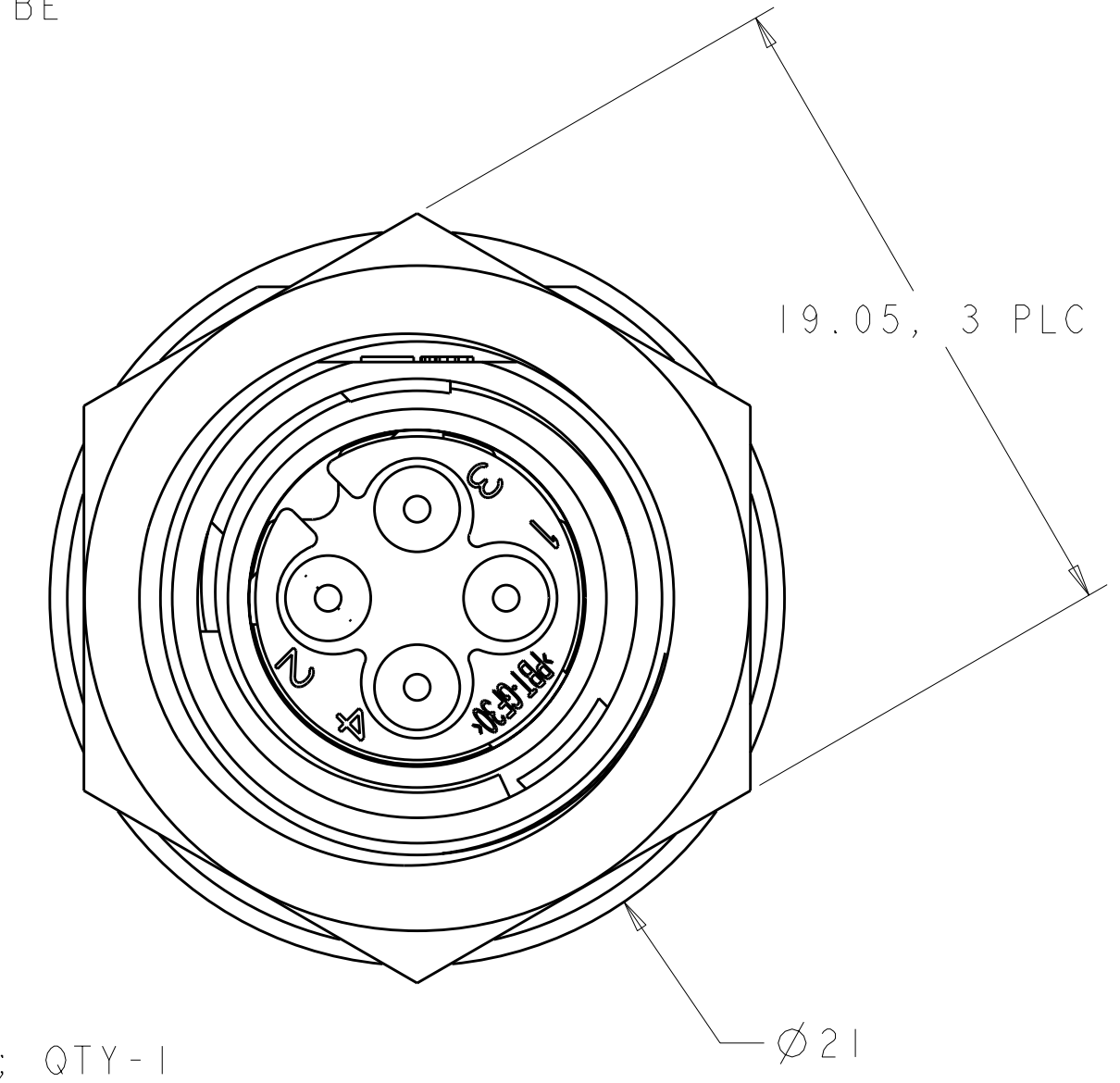


SEAL, PERIPHERAL; QTY-1  
 MATERIAL: ELASTOMER, COLOR-GRAY

PLATE, SEAL RETENTION; QTY-1  
 MATERIAL: THERMOPLASTIC, COLOR-BLACK

SEAL, WIRE ENTRY; QTY-1  
 MATERIAL: ELASTOMER, COLOR-SEE TABLE

NUT, JAM; SHOWN FOR REFERENCE ONLY, TO BE ORDERED SEPARATELY, PART # 1604196-1



SUGGESTED PANEL CUTOUT  $\Delta$

1. CONNECTOR CAN BE FRONT OR REAR PANEL MOUNTED.  
 $\Delta$  MAX PANEL THICKNESS - 3.18.

## QUALIFICATION TEST PENDING

YELLOW	Ø0.75	130°	1445421-04
NATURAL	Ø1.5	115°	1445421-03
NATURAL	Ø1.5	130°	1445421-02
YELLOW	Ø0.75	115°	1445421-01
SEAL, WIRE ENTRY COLOR	ØX REF	K REF	PART NUMBER

THIS DRAWING IS A CONTROLLED DOCUMENT.		DWN S. DOUTY 07MAR2001	TE Connectivity	
DIMENSIONS:		CHK H. WAKEEM 12JUN2003	NAME ASSEMBLY, RECEPTACLE, SIZE 8, 4 POSITION, PANEL MOUNT, MINI CPC	
TOLERANCES UNLESS OTHERWISE SPECIFIED:		APVD H. WAKEEM 12JUN2003	SIZE CAGE CODE DRAWING NO A100779C=1445421	
mm	0 PLC ±	PRODUCT SPEC	RESTRICTED TO	
	1 PLC ±0.13	APPLICATION SPEC	SCALE 5:1 SHEET 1 OF 1 REV B2	
	3 PLC ±	WEIGHT		
	4 PLC ±	CUSTOMER DRAWING		
	ANGLES ±			
	FINISH -			
MATERIAL SEE CALLOUT				