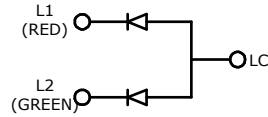
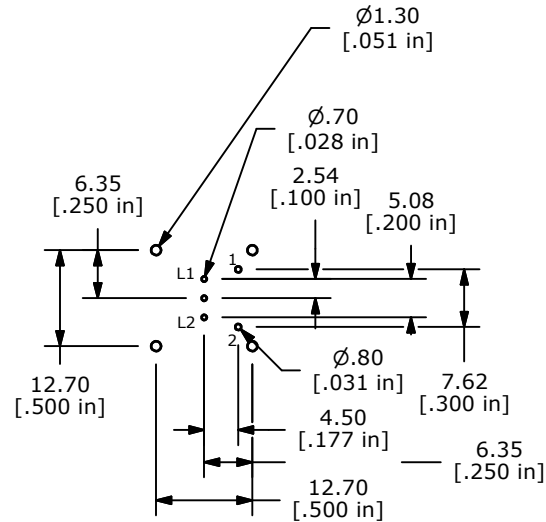




▲ CIRCUIT: SPST



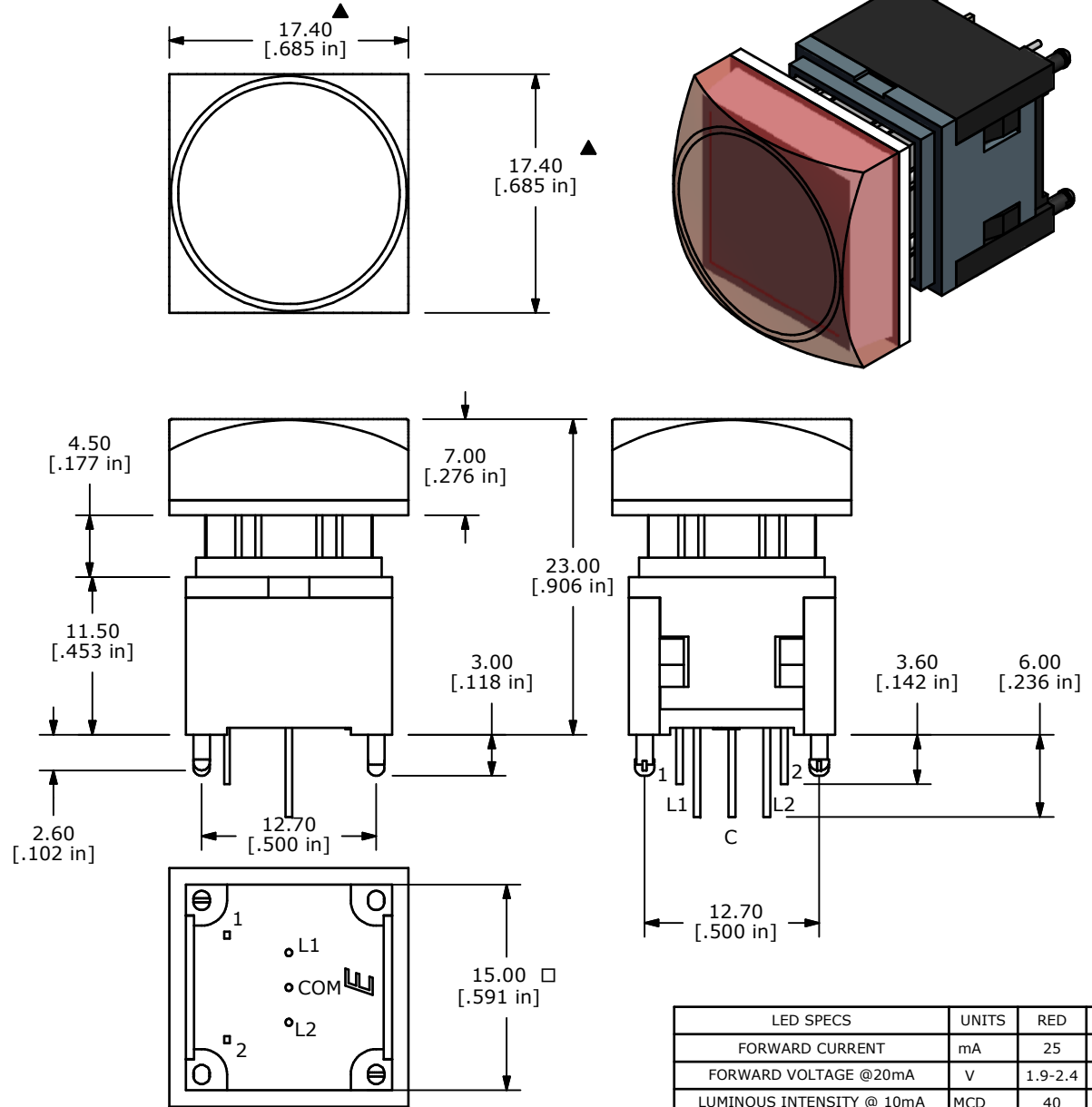
LED SCHEMATIC ▲



PCB LAYOUT

NOTES:

1. ALL DIMENSIONS IN MM [INCH]
2. GENERAL TOLERANCE: X.X=±0.4
X.XX=±0.25
3. TERM. NOS. FOR REFERENCE ONLY.
4. RATING: 12VDC, 100mA
5. CONTACT MATERIAL: GOLD PLATED
6. CONTACT RESISTANCE: 200 MILLI-OHM MAX.
7. INSULATION RESISTANCE: 500VDC, 100 MEGA-OHM MIN.
- ▲ 8. OPERATING FORCE: 250±100GF
9. MECHANICAL LIFE: 1,000,000 CYCLES
10. OPERATING TEMP: -20°C TO +70°C
11. LED COLORS: RED-GREEN
12. TRAVEL: 4.50mm±0.20
13. 2002/95/EC (ROHS) COMPLIANT
14. ▲ DENOTES CRITICAL PARAMETER.



LED SPECS	UNITS	RED	GREEN
FORWARD CURRENT	mA	25	25
FORWARD VOLTAGE @20mA	V	1.9-2.4	2.0-2.4
LUMINOUS INTENSITY @ 10mA	MCD	40	250



REV	PCR NO	DESCRIPTION	DATE	BY
C	21454	CHANGE CONTACT MATERIAL TO GOLD	5/13/14	EBP
B	19357	UPDATE HOUSING, COVER, PLUNGER	11/08/10	BMA
A	18207	New Release	8/12/08	rc

TITLE LP110A1NCSRG				
SCALE	DATE	DR	DWG	REV
2	4/29/2008	rc	B230005	C

THE INFORMATION CONTAINED IN THIS DOCUMENT IS PROPRIETARY TO E-SWITCH AND IS NOT TO BE COPIED OR TRANSFERRED