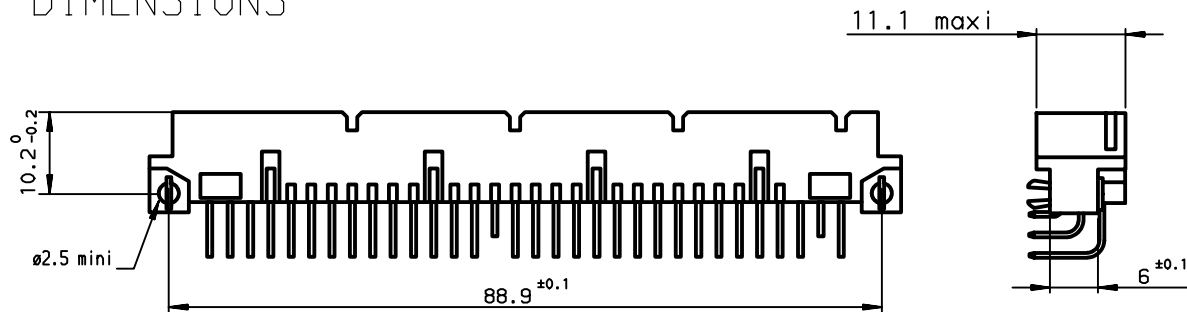


DIMENSIONS



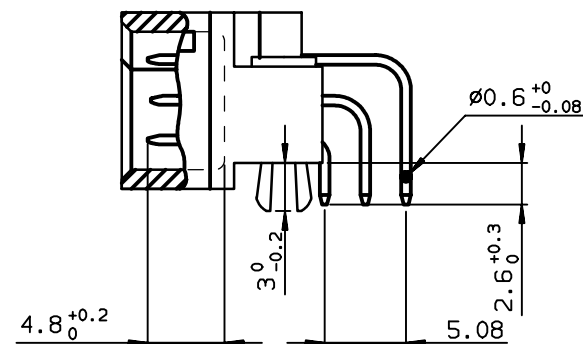
TIN LEAD PART NUMBER

PART NUMBER
86093947113H40264E1

LEAD FREE PART NUMBER

PART NUMBER
86093947113H40AOLF

TERMINATION



SPECIFICATION 264 = no contact in position : C15-C31
or SPECIFICATION A0=

GENERAL CHARACTERISTICS AND ROHS INFORMATIONS:

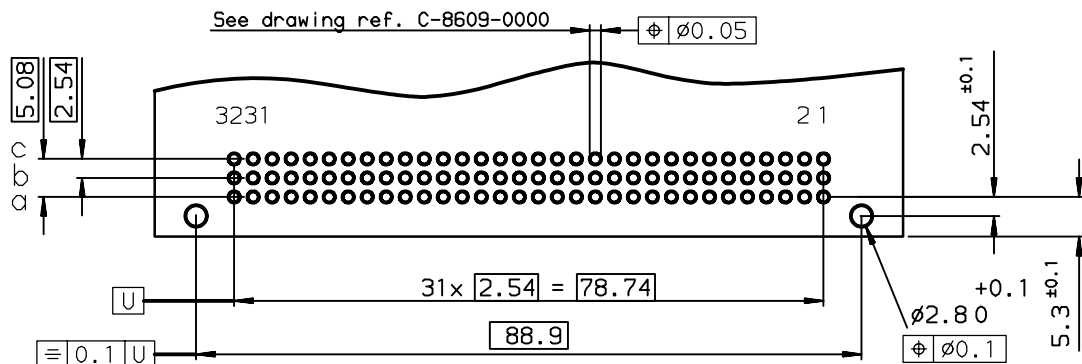
SEE DRAWING C-8609-0000A

European Views

www.fciconnect.com		surface ISO 1302 ✓	tolerance std ISO 406 ISO 1101	projection mm	mm
TOLERANCES UNLESS OTHERWISE SPECIFIED					
Dr	ROUILLARD	2001/01/31	ANGULAR	0.X ±0.1	size A3
Eng	TARON	2001/01/31	LINEAR	0.XX ±0.1	Scale 1.5
Chr	LEGARE	2001/01/31	0.XX' ±2"	0.XXX ±0.1	ECN LS06-0095
Appr	LEGARE	2001/01/31	Product family	DIN 8609	Spec ref -
FCI			STANDARD MALE 3 ROW		Rev. C
Title			94 CONTACTS		dwg no C-8609-0880
catalog no			-		CUSTOMER sheet 1 of 1

P.C. CARD DRILLING (Component side view)

See drawing ref. C-8609-0000



rev	ecn no	dr	date
A	-	-	2001/01/31
B	LS05-001	JTA	2005/03/03
C	LS06-0095	LGO	2006/06/26
-	-	-	-
-	-	-	-
-	-	-	-