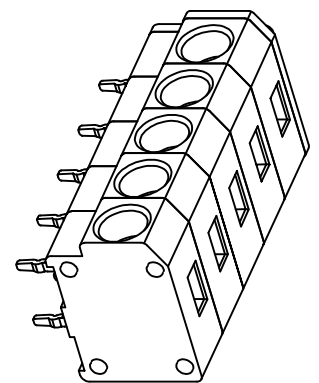
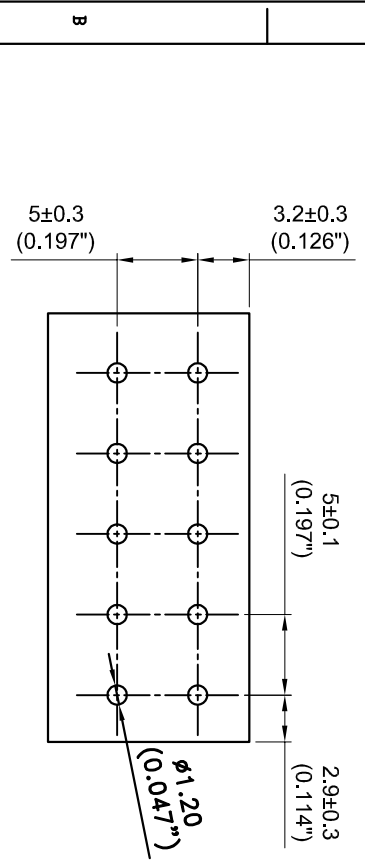
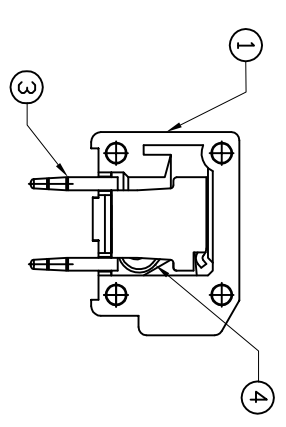
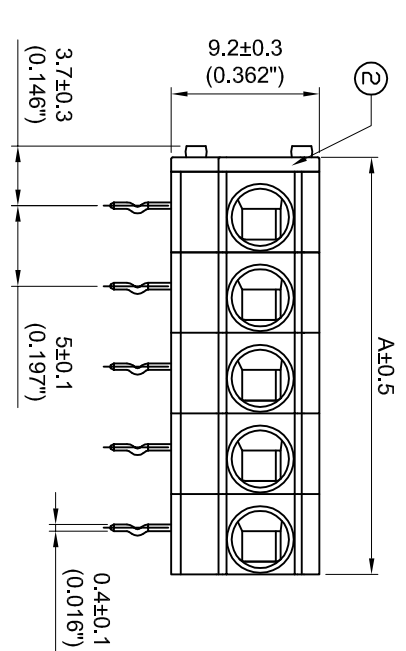
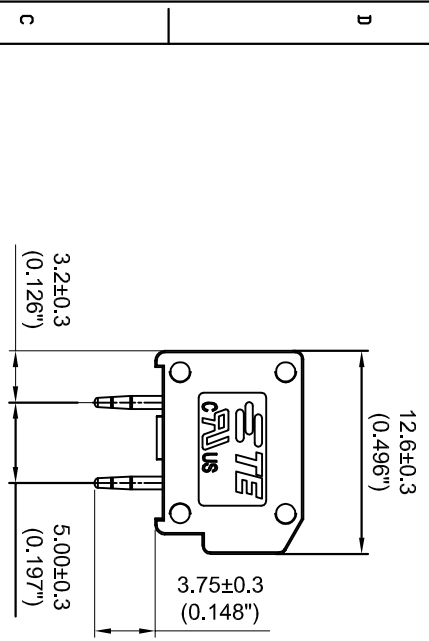


LDC		JUST		REVISIONS			
P	LTR	DESCRIPTION	DATE	DM	AP/3	DATE	DM
A		FIRST VERSION					



④	WIRE PROTECTOR	
③	CONTACT	
②	COVER	
①	HOUSING	
40.90	8 POSN	2834097-7
35.90	7 POSN	2834097-6
30.90	6 POSN	2834097-5
25.90	5 POSN	2834097-4
20.90	4 POSN	2834097-3
15.90	3 POSN	2834097-2
10.90	2 POSN	2834097-1

NO. OF POSN	PART NO
8	2834097-7
7	2834097-6
6	2834097-5
5	2834097-4
4	2834097-3
3	2834097-2
2	2834097-1

THIS DRAWING IS A CONTROLLED DOCUMENT. GEORGE EU 02DEC2015

DATE: 02DEC2015  
 REV: 02DEC2015  
 PART NO: 108-137147  
 PART NO: 114-137147  
 VERSION: -

DESCRIPTION: 5.0 Horizontal Entry Screwless Connector  
 CUSTOMER DRAWING: -

SIZE: A2  
 CODE: 00779  
 C-2834097  
 SCALE: 1:1  
 SHEET: 1 OF 1  
 REV: A

- NOTES :
- △ MATERIALS AND FINISH:
    - HOUSING: PA66
    - CONTACTS: COPPER, FINISH: TIN OVER NICKEL UNDERPLATE
  - MUST COMPLY WITH DIRECTIVE 2002/95/EC (ROHS)
  - WIRE TYPES AND SIZES ACCEPTED
  - WIRE RANGE: 14AWG~20AWG.
  - STRIP LENGTH: 9.0mm~10.0mm
  - PACKAGED IN TRAY.
  - CURRENT RATING: 10Amp AC300V.
  - OPERATION TEMPERATURE: -40°C TO +105°C
  - THIS PART NO. IS THE SAME STRUCTURE AS THE SERIES: 2834097
  - THE DATASHEET AND MORE DETAILS PLEASE FOLLOW THE SERIES: 2834097