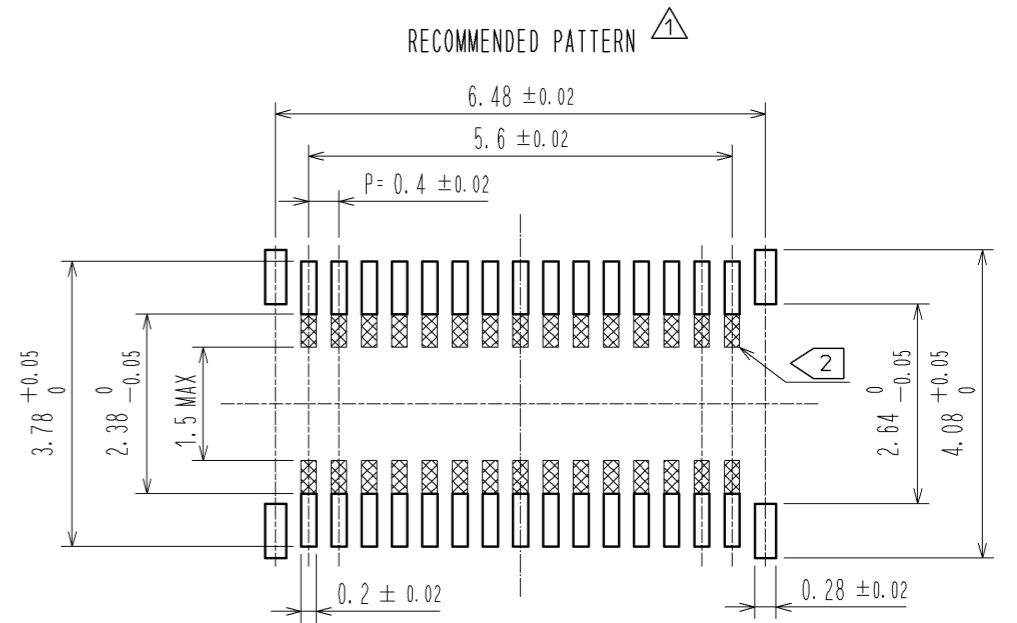
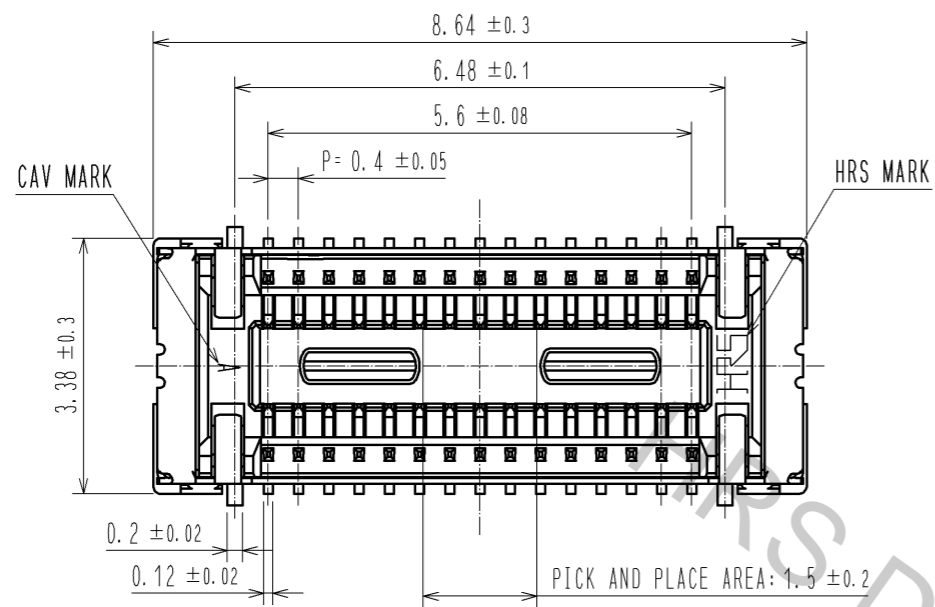
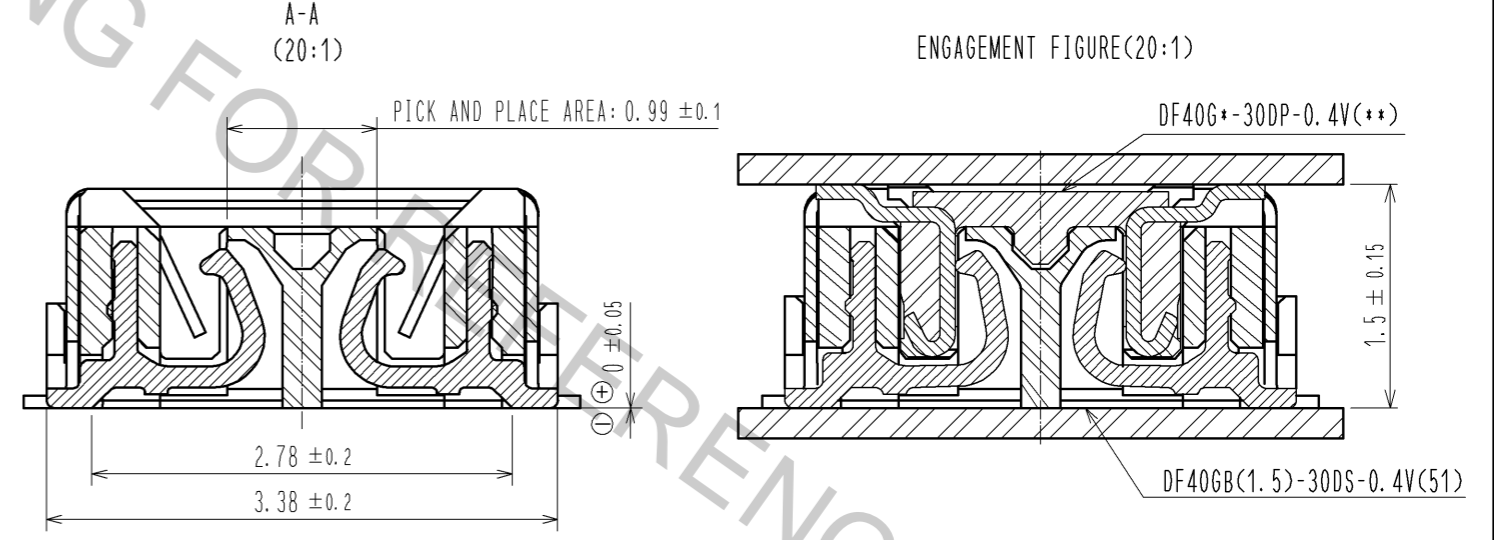
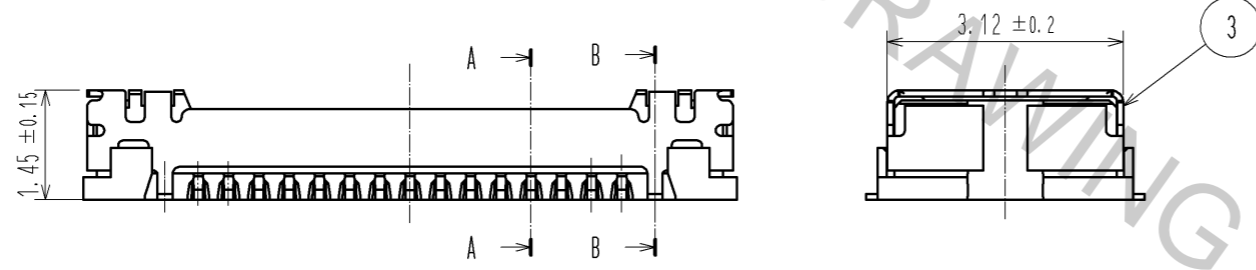


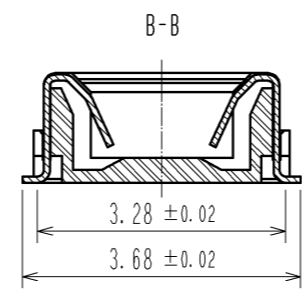
Apr.1.2017 Copyright 2017 HIROSE ELECTRIC CO., LTD. All Rights Reserved.



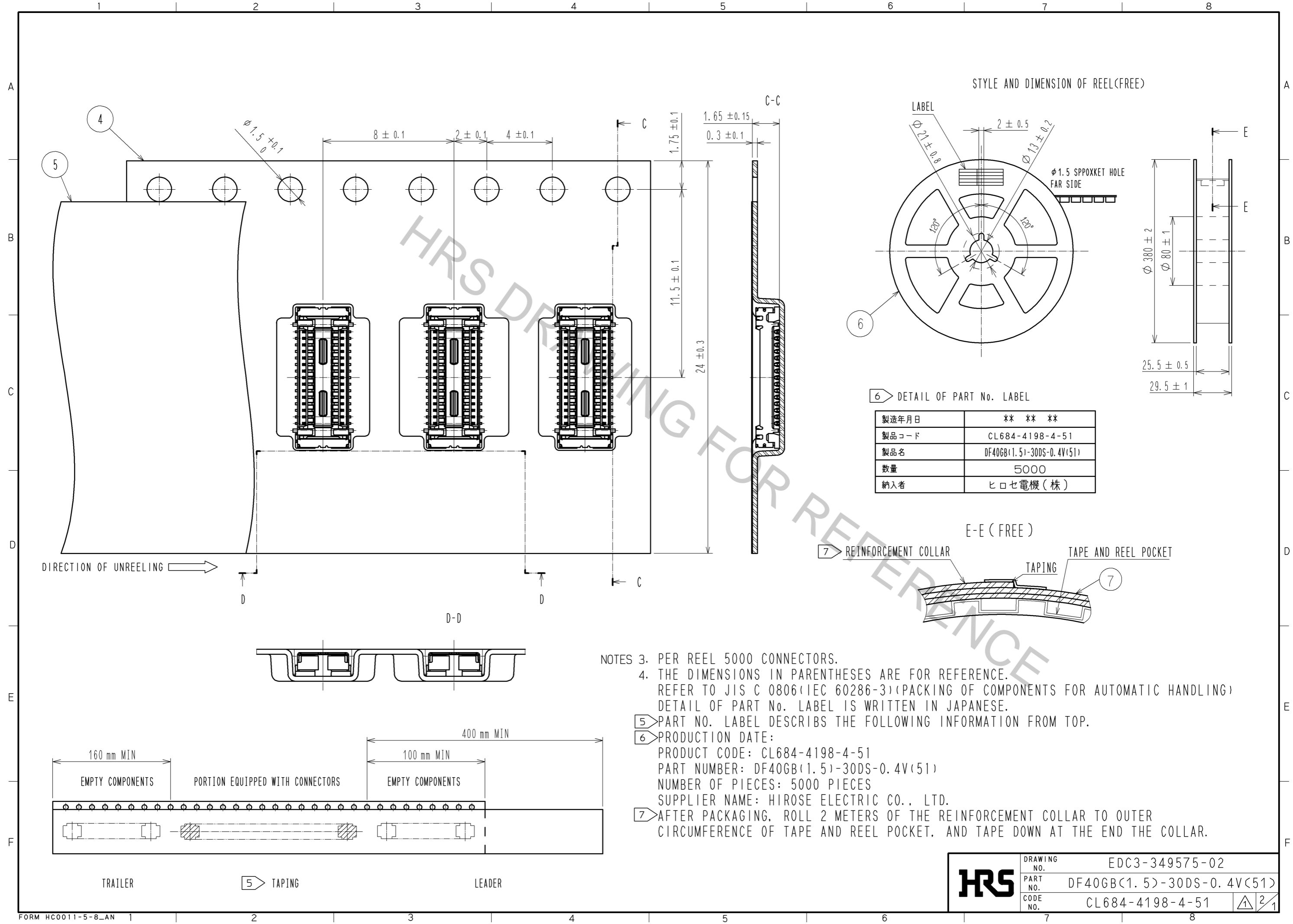
RECOMMENDED METAL MASK THICKNESS: 120 μm  
 RECOMMENDED MASK OPENING RATIO: 80% FOR LEAD PAD



NOTES 1. ALL LEADS METAL FITTINGS CO-PLANARITY SHALL BE 0.1mm MAX.  
 2. IS NON-CONDUCTIVE AREA.



2	PHOSPHOR BRONZE	CONTACT AREA: GOLD 0.05 μm MIN SMT LEAD: GOLD 0.05 μm MIN UNDERPLATING: NICKEL 1 μm MIN	7	PS	CLEAR(REINFORCEMENT COLLAR)		
1	LCP	BLACK, UL94V-0	6	PS	BLACK(PLASTIC REEL)		
			5	POLYESTER	CLEAR(COVER TAPE)		
			4	PS	CLEAR(EMBOSSED CARRIER TAPE)		
			3	PHOSPHOR BRONZE	CONTACT AREA: GOLD 0.05 μm MIN SMT LEAD: GOLD 0.05 μm MIN UNDERPLATING: NICKEL 1 μm MIN		
NO.	MATERIAL	FINISH . REMARKS	NO.	MATERIAL	FINISH . REMARKS		
UNITS mm		SCALE 10 : 1	COUNT 1	DESCRIPTION OF REVISIONS DIS-H-008439	DESIGNED TY. YAMASAKI	CHECKED TS. MIYAZAKI	DATE 14. 01. 17
<b>HRS</b> HIROSE ELECTRIC CO., LTD.		APPROVED : KH. IKEDA 13. 01. 31	DRAWING NO. EDC3-349575-02				
		CHECED : TS. MIYAZAKI 13. 01. 31	PART NO. DF40GB(1.5)-30DS-0.4V(51)				
		DESIGNED : TY. YAMASAKI 13. 01. 30	CODE NO. CL684-4198-4-51				
		DRAWN : TY. YAMASAKI 13. 01. 30					



<b>HRS</b>	DRAWING NO.	EDC3-349575-02
	PART NO.	DF40GB(1.5)-30DS-0.4V(51)
	CODE NO.	CL684-4198-4-51
		$\triangle$ 2/1