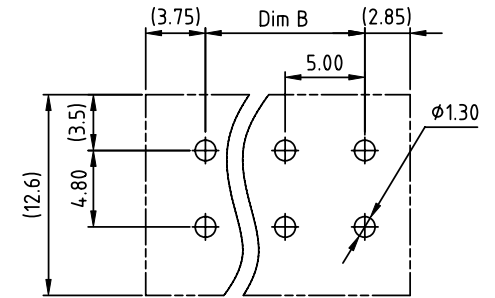
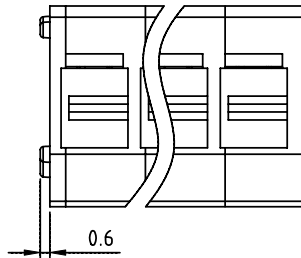
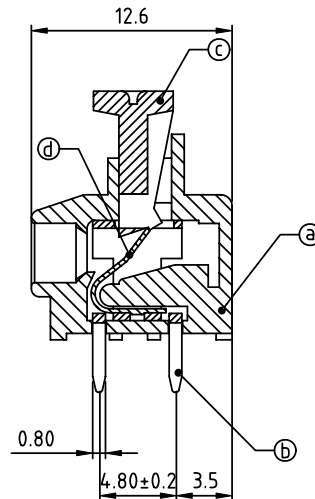
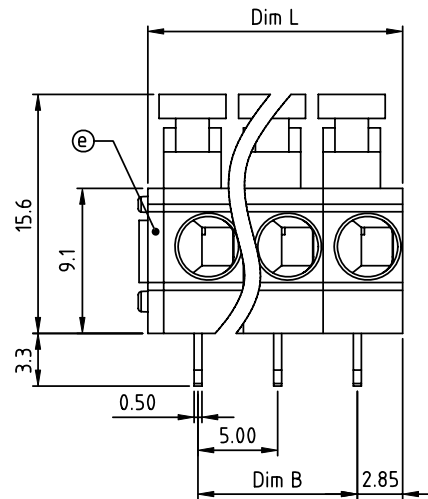


PRODUCT NUMBER	PITCH
HBxx01x000J0G	5.00 mm



RECOMMENDED P.C.B LAYOUT  
TOP VIEW



Material:

- Item① Terminal housing: Thermoplastic (UL94V-0)
- Item② Solder Pin: Brass Tin plated.
- Item③ Lever: Thermoplastic (UL94V-0) Natural color
- Item④ Spring clamp: Stainless steel
- Item⑤ Terminal Cover: Thermoplastic (UL94V-0)

Electrical

- |                         |                 |                    |
|-------------------------|-----------------|--------------------|
|                         | cULus           | VDE                |
| ●Voltage rating:        | 300VAC          | 450VAC             |
| ●Current rating:        | 10A             | 6A                 |
| ●Wire range:            |                 | 0.5mm <sup>2</sup> |
| ●Solid wire(AWG):       |                 | 14-20              |
| ●Stranded wire(AWG):    |                 | 14-20              |
| ●Wire strip length:     |                 | 9-10mm             |
| ●Withstanding Voltage:  | 1.6KV           | 2.5KV              |
| ●Operating temperature: | -40°C to +115°C |                    |
| ●Soldering temperature: | 260°C±5°C/5 Sec |                    |
| ●Safety Approval:       |                 |                    |

N=Number of poles  
Dim L=N×5.0+1.00  
Dim B=(N-1)×5.0

POLES	Dim L	Dim B
1p	±0.10	
2p-6p	±0.20	±0.15
7p-12p	±0.30	±0.25
13p-18p	±0.40	±0.35
19p-24p	±0.45	±0.40

PART NO.: HB xx 01 x 0 00J0 G

End stackable	0	Color	Black (RAL9005)	RoHS compliant	(lead<4%)
No. of poles	2		Red (RAL3001/D)	In copper Alloy	
01	1 poles	3	Orange(RAL2011/P)		
02	2 poles	4	Yellow(RAL1018/A)		
...	...	5	Green(RAL6018/T)		
24	24 poles	6	Blue (RAL5015/A)		
		8	Grey(RAL7004/P)		
		9	White(RAL1102)		
		C	Multiple colors		

mat'l. code		surface ASME Y14.5	tolerance ASME Y14.5	projection	product family TERMINAL BLOCK
ltr	ecn no	dr	date		title TERMINAL BLOCK
tolerances unless otherwise specified				MM	SPRING CLAMP,180D WIRE INLET,SINGLE WITH LEVER
angles	0	0	0	scale	dwg no
	X±1°	X.X±0.3	X.XX±0.1		sheet 1 of 1 size
dr	EVIN ZHONG	052614			HBxx01x000J0G
enr	EVIN ZHONG	052614			A4
chr	HANKE FENG	052614			
appd	SHI JUN	052614			type
sheet index	revision	A			CUSTOMER Drawing
	sheet	1			