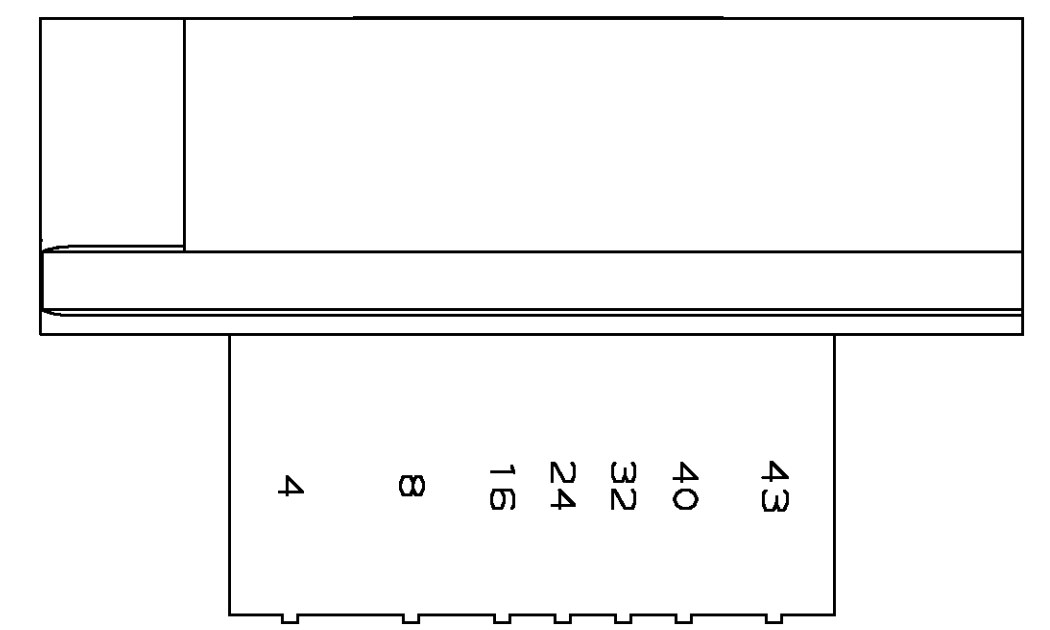
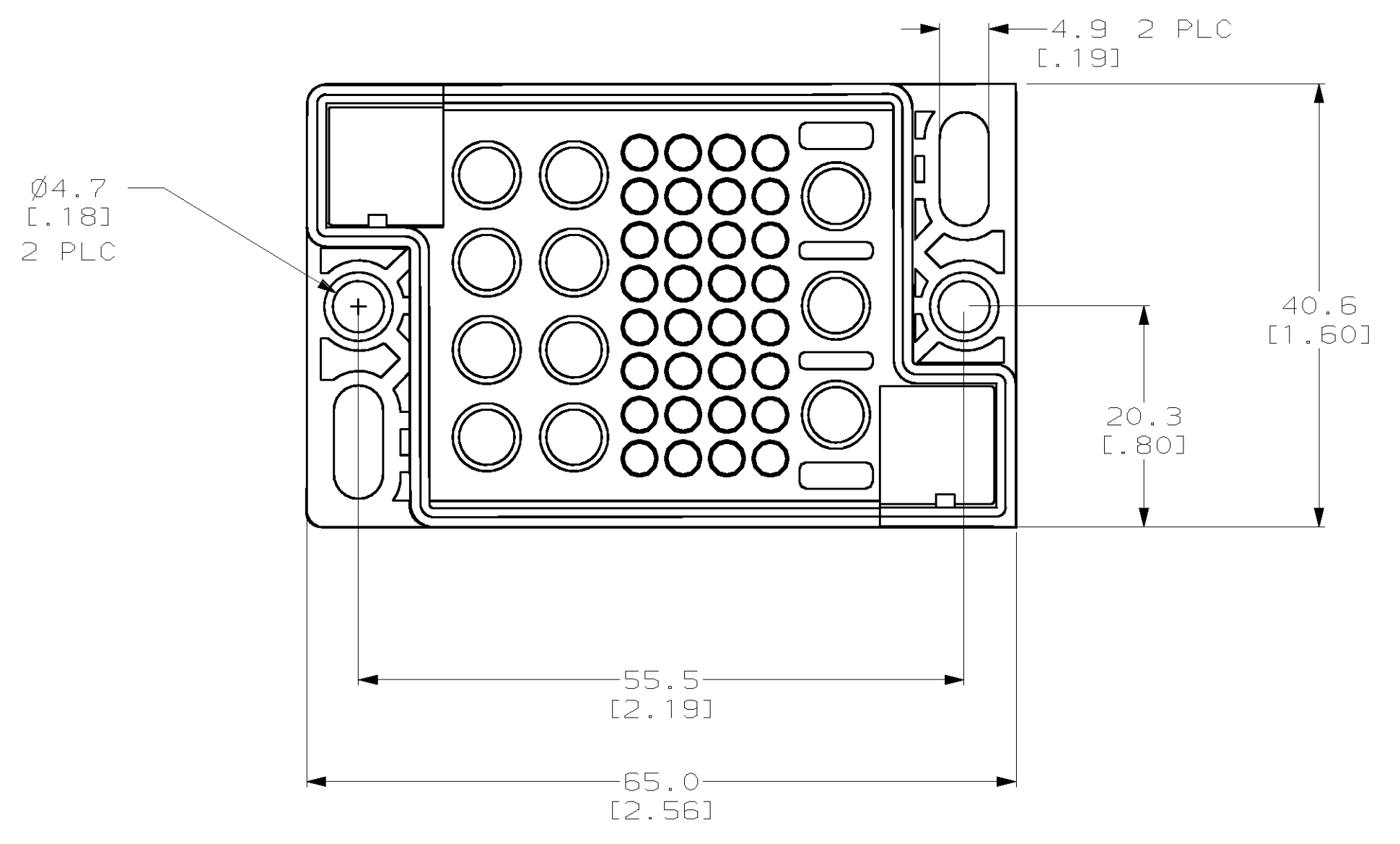
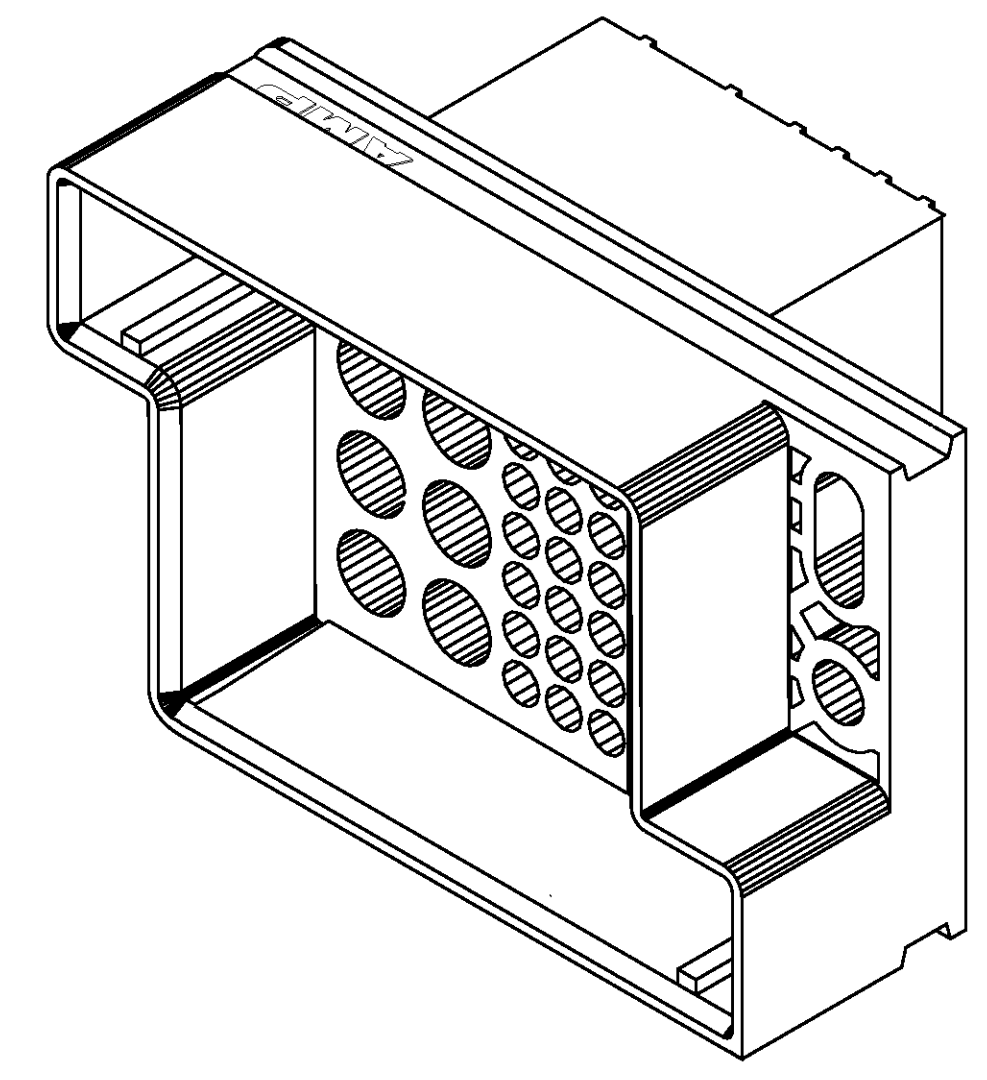
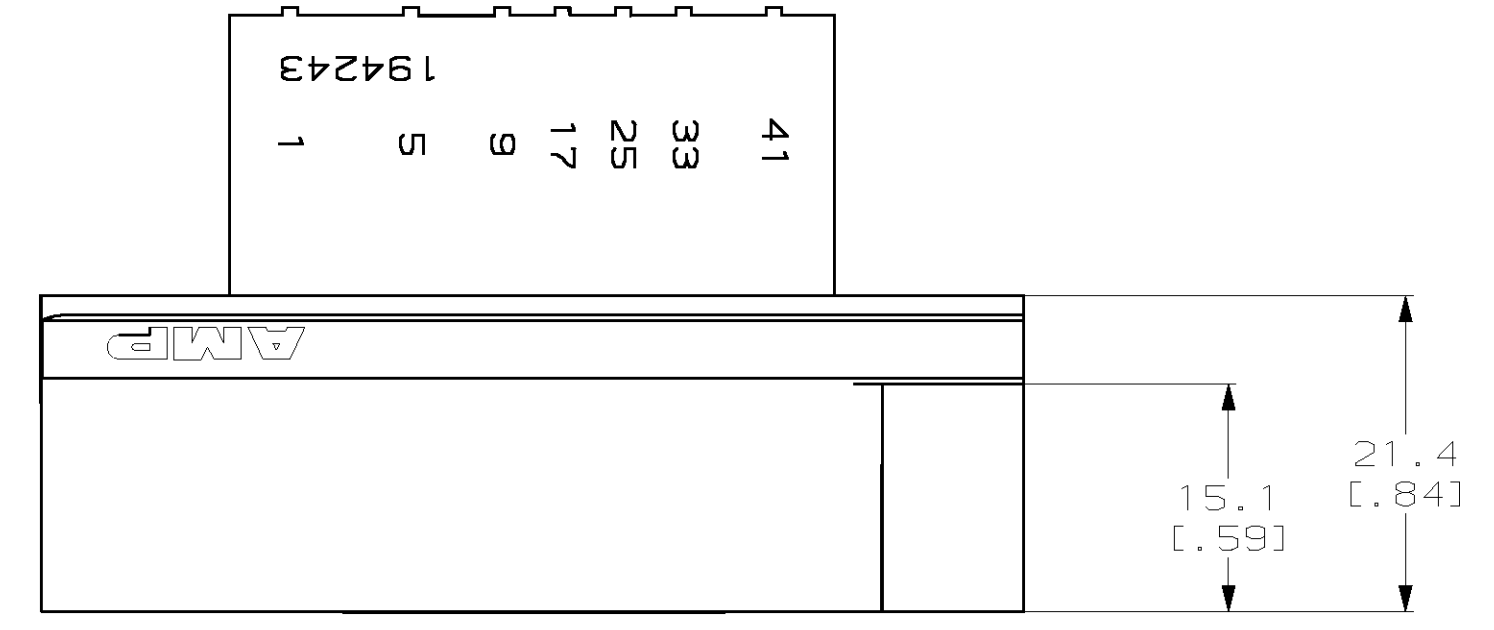


REVISIONS					
CH	NO	DATE	DESCRIPTION	BY	APPD
A	EC	0B20-0551-97	25/APR/97	RNP	RAR
B	EC	0B20-0126-98	22/JAN/98	DAP	RAR
C	EC	0B20-0188-98	22/JAN/98	DAP	RAR
D	EC	0B20-0093-99	20/JAN/99	RNP	RAR

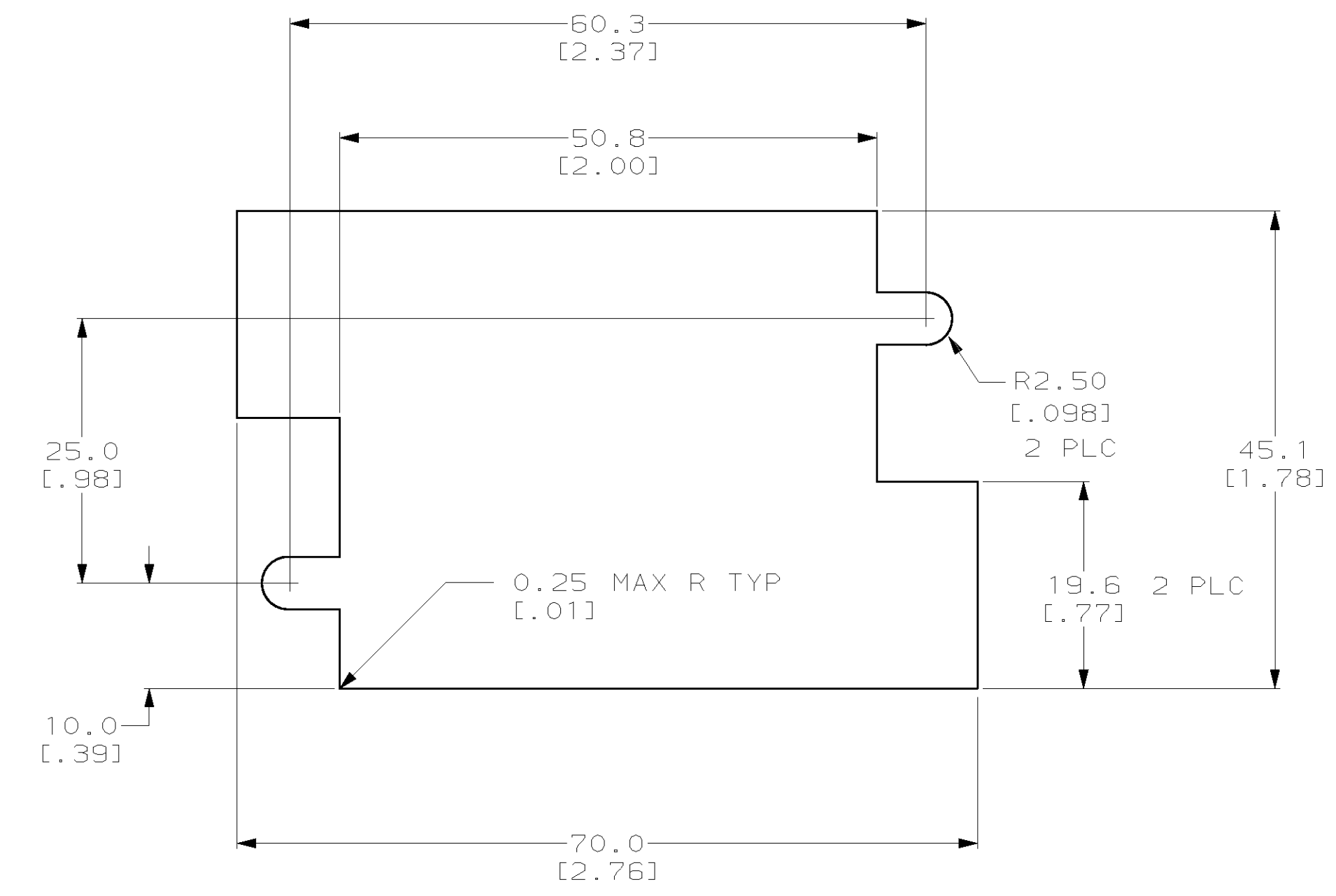
* AMPPOWER is a trademark



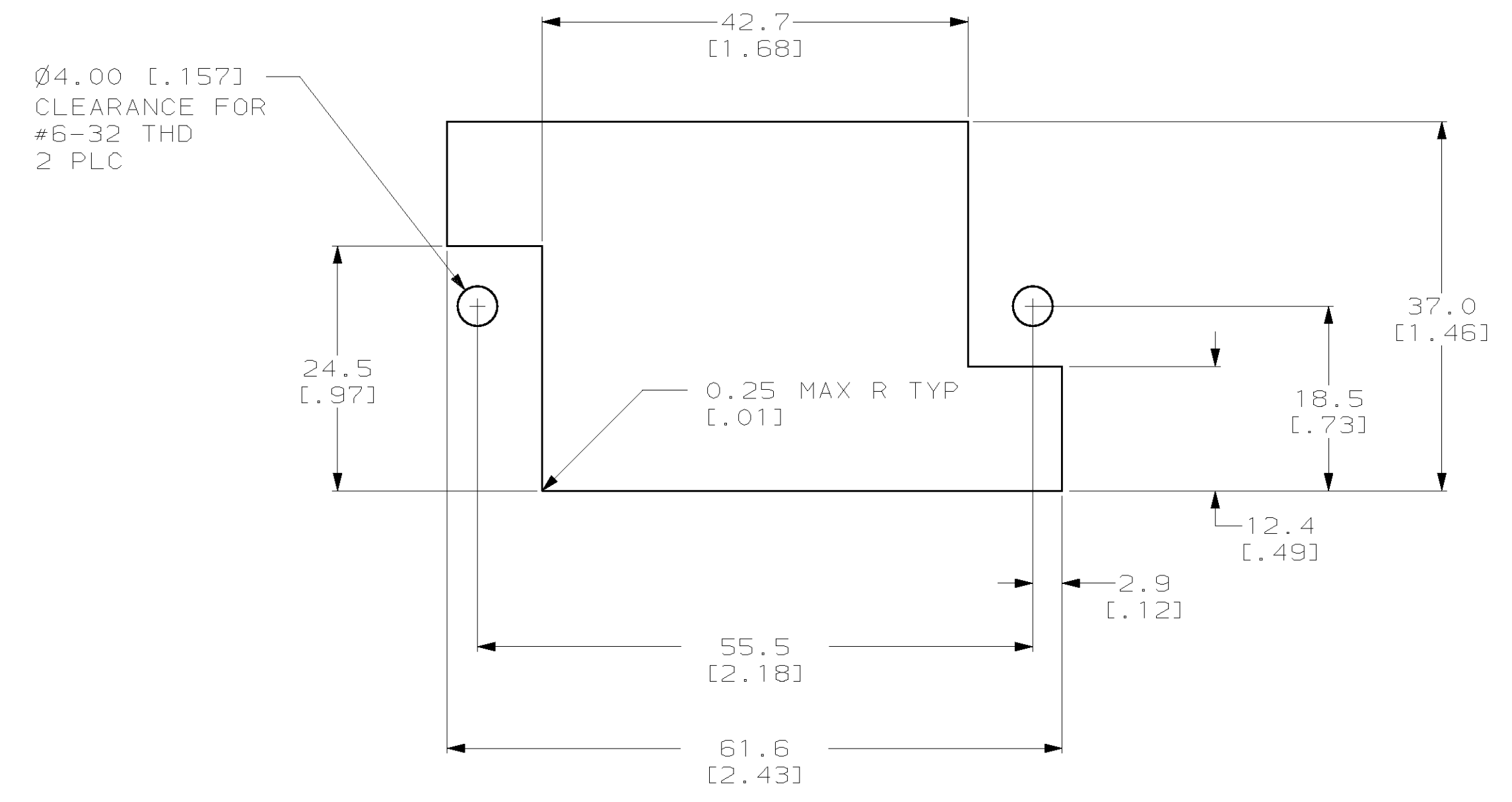
194243-1
PART NO

- POSITIONS 1-8 ARE FOR 3mm CONTACTS.
- POSITIONS 9-40 ARE FOR SIZE 16 CONTACTS.
- POSITIONS 41-43 ARE FOR 3mm CONTACTS.
- INSERTS ARE NOT REQUIRED WHEN FLOAT MOUNTING.
- ALL DIMENSIONS EXCEPT PANEL CUTOUTS ARE REFERENCE ONLY.

<small>THIS DRAWING IS A CONTROLLED DOCUMENT AND IS UNPUBLISHED. IT IS SUBJECT TO CHANGE AND THE CONTROLLING ENGINEERING DEPARTMENT SHALL BE CONTACTED FOR THE LATEST REVISION.</small>		DWN: R N POLK CHK: 25APR97 APPD: - DATE: - PRODUCT SPEC: - APPLICATION SPEC: - WEIGHT: - CUSTOMER DRAWING	AMP AMP Incorporated Harrisburg, PA 17105-3608 AMPPOWER* Multi Pin Plus HOUSING, RECEPTACLE SIZE: A1 CAGE CODE: 00779 DRAWING NO: C=194243 SCALE: 2:1 SHEET: 12 REV: 0
DIMENSIONS: mm (in) 	TOLERANCES UNLESS OTHERWISE SPECIFIED: Ø PLC ±.01 1 PLC ±.01 2 PLC ±.01 3 PLC ±.01 4 PLC ±.01 ANGLES ±.5° FINISH: -	MATERIAL: POLYESTER PCT, BLACK	AMP Incorporated Harrisburg, PA 17105-3608 AMPPOWER* Multi Pin Plus HOUSING, RECEPTACLE SIZE: A1 CAGE CODE: 00779 DRAWING NO: C=194243 SCALE: 2:1 SHEET: 12 REV: 0



RECOMMENDED FLOAT MOUNT PANEL CUTOUT #5
 EXTERNAL VIEW



RECOMMENDED STATIONARY MOUNT PANEL CUTOUT #6
 EXTERNAL VIEW

THIS DRAWING IS A CONTROLLED DOCUMENT.		Dwn	R N POLK	25/APR/97
DIMENSIONS:		CHK		
mm (in)	TOLERANCES UNLESS OTHERWISE SPECIFIED:	APVD		
	0 PLC ±	PRODUCT SPEC		
	1 PLC ±	APPLICATION SPEC		
	2 PLC ±			
	3 PLC ±			
	4 PLC ±			
	ANGLES			
MATERIAL	FINISH	WEIGHT		
CUSTOMER DRAWING		SCALE	2/1	SHEET 22 OF 2 REV C

AMP 4805 REV 23FEB95

02-FEB-98 06:29:26 amp26068 /home/amp26068/multipin

AMP AMP Incorporated
 Harrisburg, PA 17105-3608

NAME
 AMPPOWER Multi Pin Plus
 HOUSING, RECEPTACLE

SIZE A1 CAGE CODE 00779 DRAWING NO. 194243