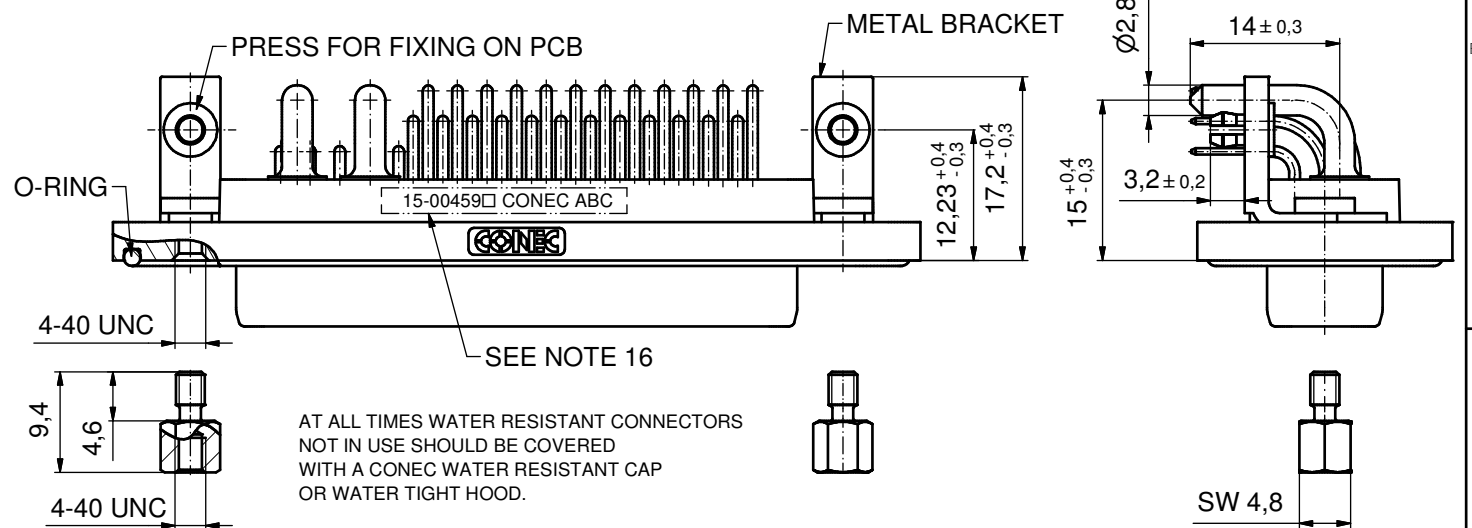
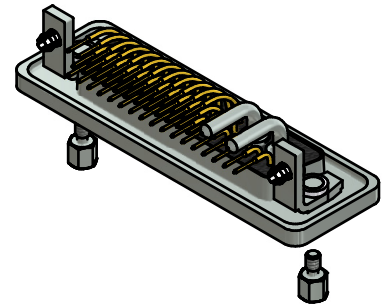
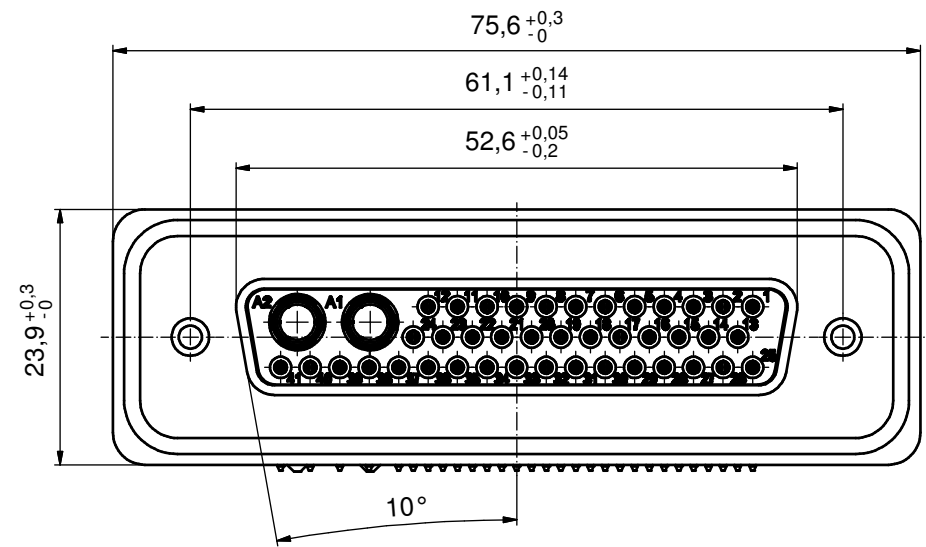
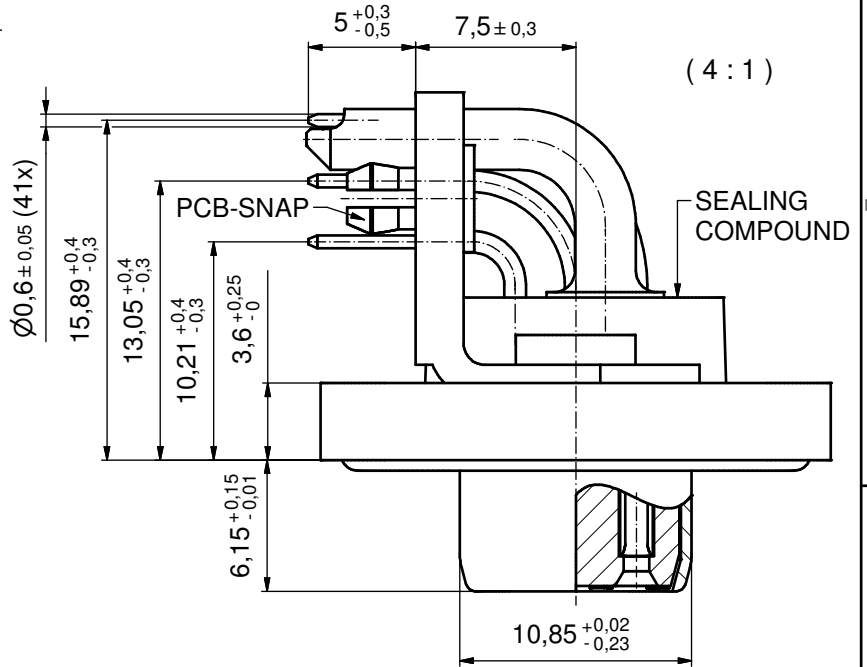


NOTES:

- FOR WAVESOLDERING (SOLDER BATH TEMPERATURE 265°C FOR 8 SEC. AND SOLDER PREHEAT 150°C FOR 180 SEC.)
- IP RATING: IP 67
- SEALED TO WITHSTAND PRESSURE UP TO 1,45 PSI FOR 30 MINUTES AFTER HIGH TEMPERATURE EXPOSURE
- METALSHELL:
ZINC DIE CAST; min. 50µm NICKEL PLATING over COPPER
- INSULATORS: PBT GF UL 94 V-0, GREEN
- O-RING: SILICONE PER ASTM D2000 70 SHORE A
- SEALING COMPOUND: EPOXY RESIN UL 94 V-0; BLACK
- SIGNAL CONTACTS: COPPER ALLOY
PLATING (SEE PART NO):
30µm HARD GOLD over min. 50µm NICKEL if 1□ in PART NO.
8µm HARD GOLD over min. 50µm NICKEL if 3□ in PART NO.
- HIGH POWER CONTACTS 20A: COPPER ALLOY
PLATING MATING SIDE (SEE PART NO):
□ PLEASE ADD 1 for 30µm HARD GOLD over min. 50µm NICKEL
□ PLEASE ADD 3 for 8µm HARD GOLD over min. 50µm NICKEL
PLATING TERMINATION SIDE: 160-240µm TIN over 80µm NICKEL
- METAL BRACKETS: ZINC DIE CAST;
300µm COPPER/40-120µm NICKEL/120-200µm TIN
- WASHERS: COPPER ALLOY; 80µm NICKEL
- HEXLOCKING SCREWS: STAINLESS STEEL
- PCB-SNAPS: COPPER ALLOY; min. 200µm TIN over 80µm NICKEL
PCB-HOLE: $\varnothing 3.1 \pm 0.1$; PCB THICKNESS 1.6mm
- P.C.B. HOLE DRILLINGS and
RECOMMENDED PANEL CUT-OUT ON SHEET 2
- RECOMMENDED TORQUE FOR MOUNTING SCREW 35Ncm (3.1 in.LB) / max.67Ncm (6 in.LB)
- CONNECTOR IS PART MARKED: 15-00459□ CONEC ABC

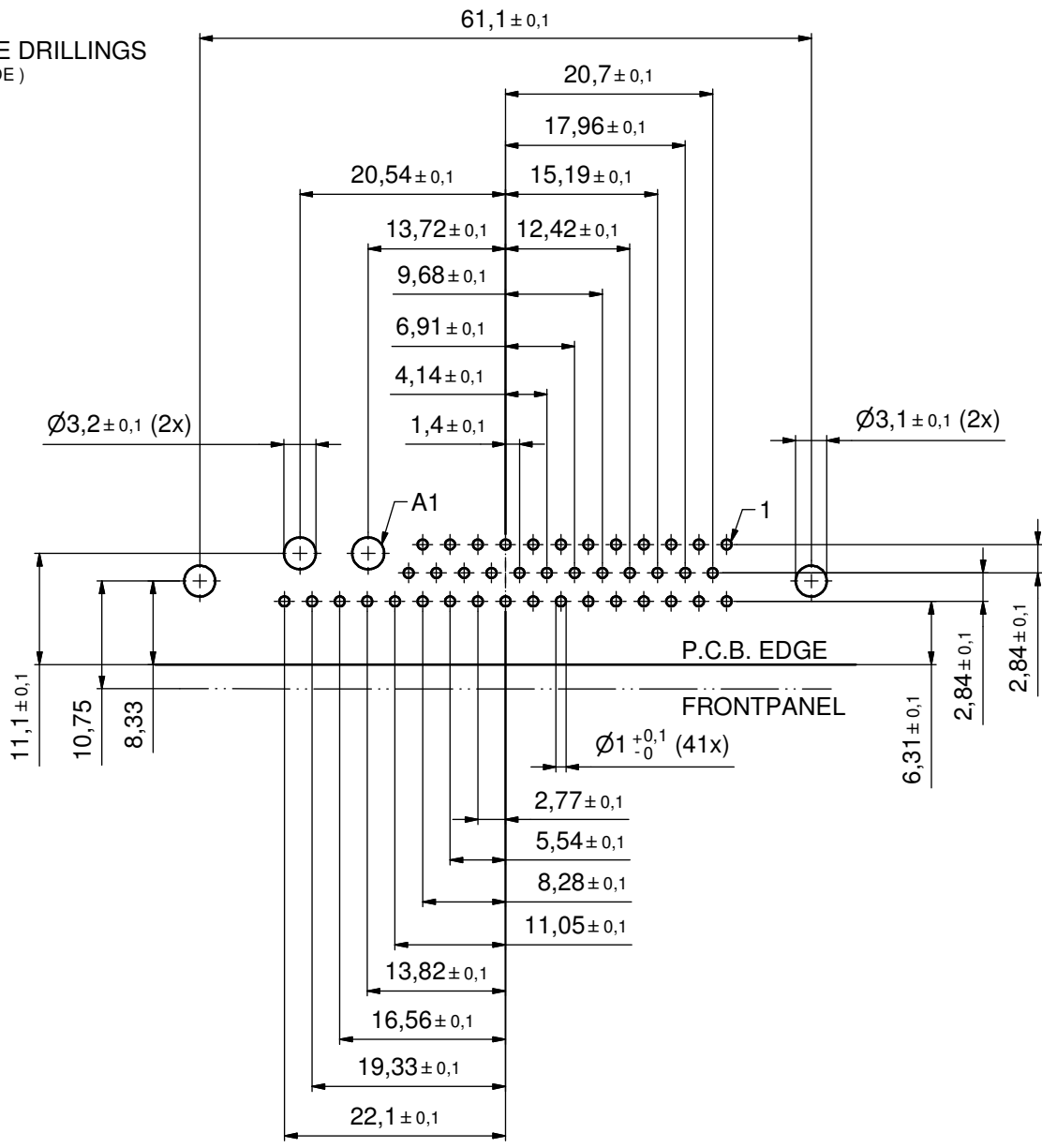


Directive 2002/95/EC RoHS compliant

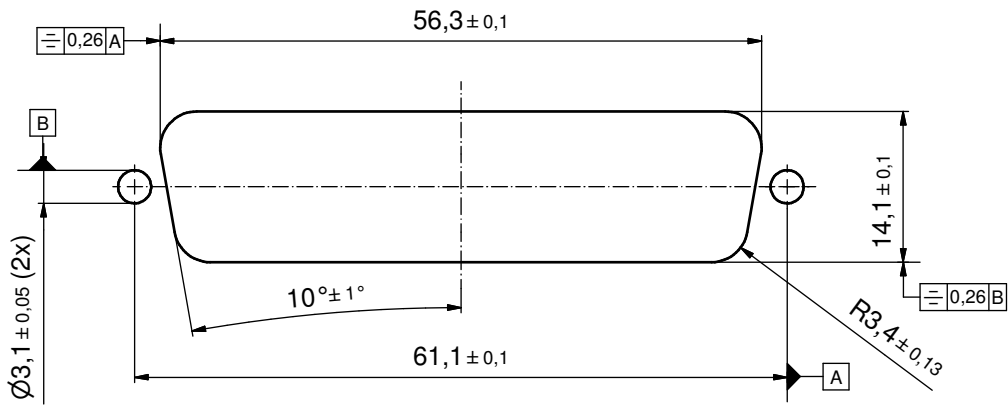
THIS DRAWING MAY NOT BE COPIED OR REPRODUCED IN ANY WAY, AND MAY NOT BE PASSED ON TO A THIRD PARTY WITHOUT WRITTEN PERMISSION. OWNERSHIP AND COPYRIGHT OF CONEC GmbH DO NOT ALTER CAD DRAWING BY HAND	tolerance		dim. in mm	scale:	2:1 (4:1)	
				material:	see notes	
	drawn	24.05.11	name	title:		
	appd.	24.05.11	Fischer	D-SUB COM. FEMALE 90°		
	norm			43W2S SOLDER PIN ANGLED		
d-old			with threaded insert, metal bracket, snap and hexlocking screw			
a	Original		dwg no:		DIN-A3	
rev.	description	date	part no:		sh: 1	
			15K1A858			
			part no: 15-00459□ (see note 9)			



P.C.B. HOLE DRILLINGS
(P.C.B. TOP SIDE)



RECOMMENDED PANEL CUT-OUT



THIS DRAWING MAY NOT BE COPIED OR REPRODUCED IN ANY WAY, AND MAY NOT BE PASSED ON TO A THIRD PARTY WITHOUT WRITTEN PERMISSION. OWNERSHIP AND COPYRIGHT OF CONEC GmbH DO NOT ALTER CAD DRAWING BY HAND				tolerance		scale: 2:1
				dim. in mm		material: see sheet 1
				date	name	title: P.C.B HOLE DRILLINGS D-SUB COM. FEMALE 90° 43W2S with threaded insert, metal bracket and clip
				drawn	24.05.11 Henneboel	
				appd.	24.05.11 Fischer	
				norm		
				d-old		dwg no:
a	Original		CONEC [®]		15K1A858	DIN-A3
rev.	description	date			name	part no: SEE SHEET 1