

CGA4J3X7T2E104M125AE

TDK Item Description : CGA4J3X7T2E104MT***S



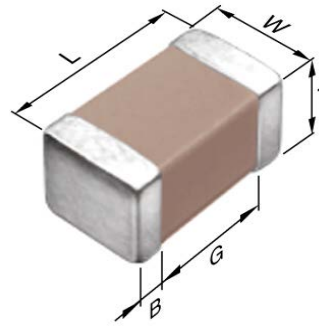
Equivalent C2012X7T2E104M for Automotive

Application & Main Feature

Automotive Grade (Soft Termination)

Series

CGA4(2012) [EIA CC0805]



Dimensions

L	2.00mm +0.45,-0.2mm
W	1.25mm +0.25,-0.2mm
T	1.25mm +0.25,-0.2mm
B	0.20mm Min.
G	0.50mm Min.

Temperature Characteristic

X7T (-55 to 125 degC +22,-33%)

Rated Voltage

2E (250Vdc)

Capacitance

100nF

Capacitance Tolerance

M (+/-20%)

Dissipation Factor

2.5% Max.

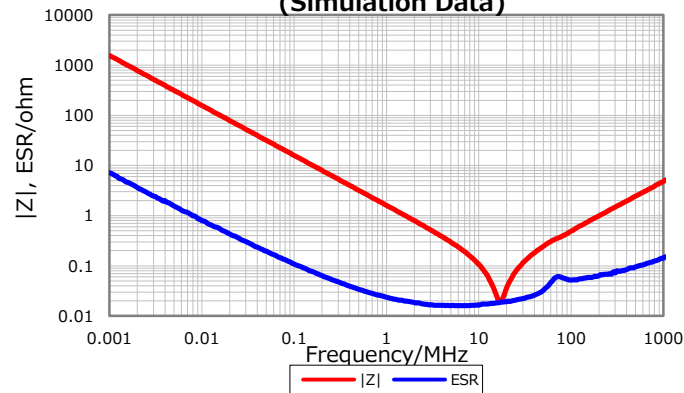
Insulation Resistance

5Gohm Min

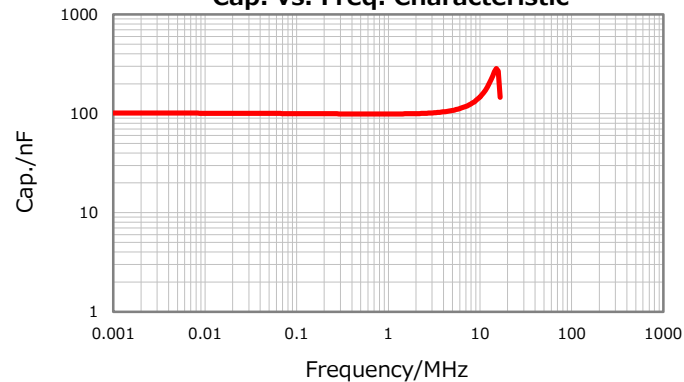
AEC-Q200

Yes

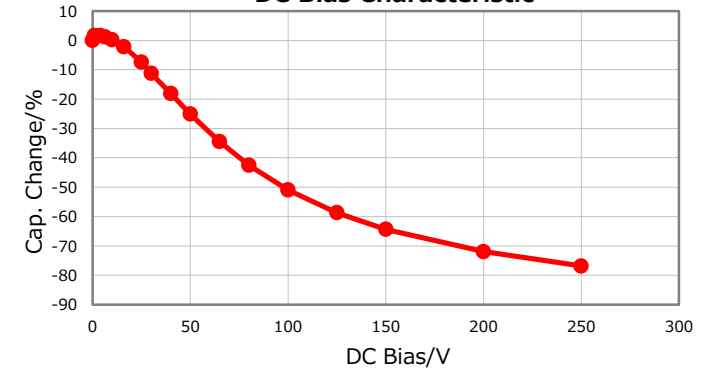
**|Z|, ESR vs. Freq. Characteristics
(Simulation Data)**



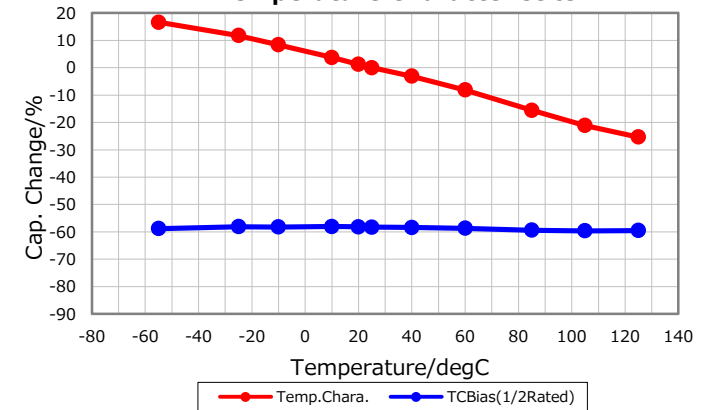
Cap. vs. Freq. Characteristic



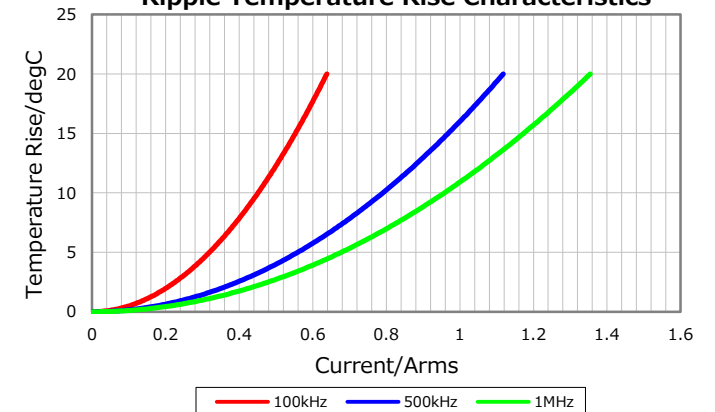
DC Bias Characteristic



Temperature Characteristics



Ripple Temperature Rise Characteristics



Characterization Sheet (Multilayer Ceramic Chip Capacitors)



All specifications are subject to change without notice.

March 17, 2017