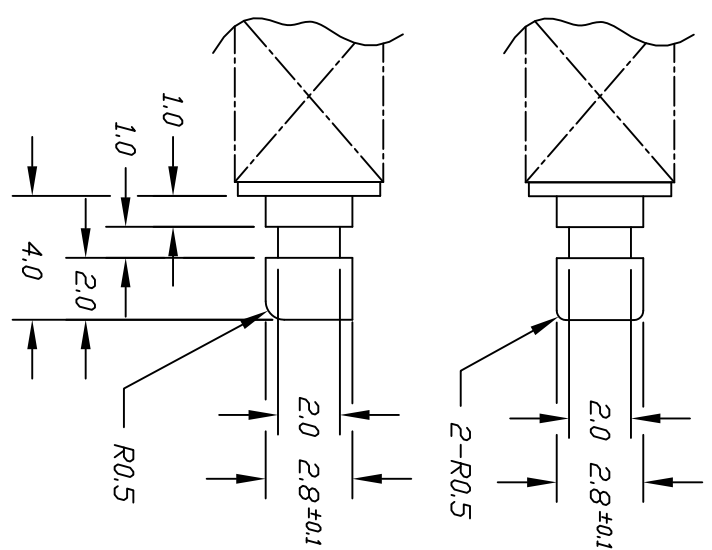
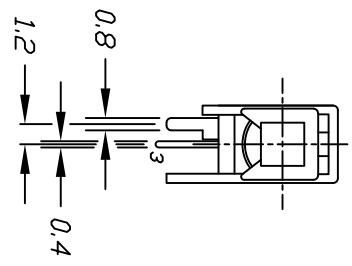
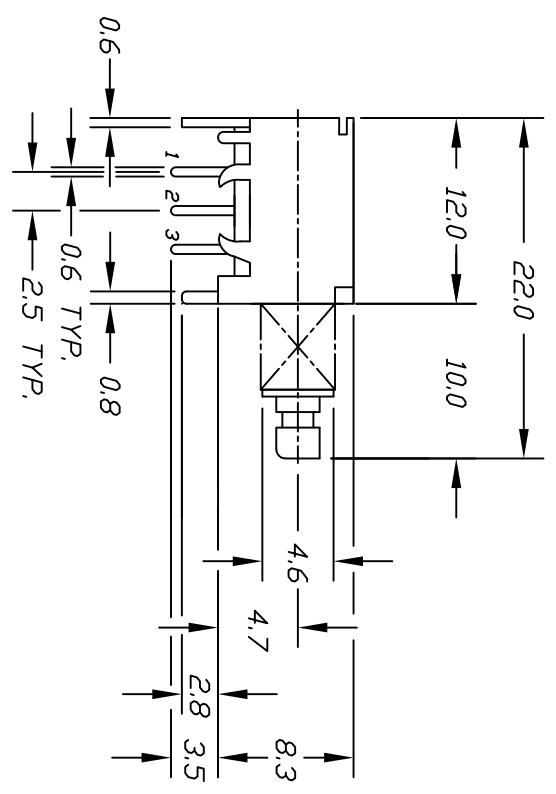


CIRCUIT: SPDT

CONTACT CONFIGURATION



ACTUATOR DETAIL SCALE 4:1

NOTES:

1. ALL DIMENSIONS IN MM (IN)
2. TERM. NOS. FOR REF ONLY
3. RATING: DC 30V, 0.3A
4. OPERATING FORCE: 230±100gf
5. TRAVEL: FULL 3.5mm

C	CORRECTED NOTE 5	7/1/14	EBP
B	REVISED & REDRAWN		
REV.	DESCRIPTION	DATE	CHKD

TOLERANCES	
0.0	±0.4
0.00	±0.25

TITLE		SCALE	DATE	DR	DWG	REV
LC 125804 N P		2:1	12/30/96	MM	P070221	C



THE INFORMATION CONTAINED IN THIS DOCUMENT IS PROPRIETARY TO E-SWITCH AND IS NOT TO BE COPIED OR TRANSFERRED