

H G F E D C B A

4

3

2

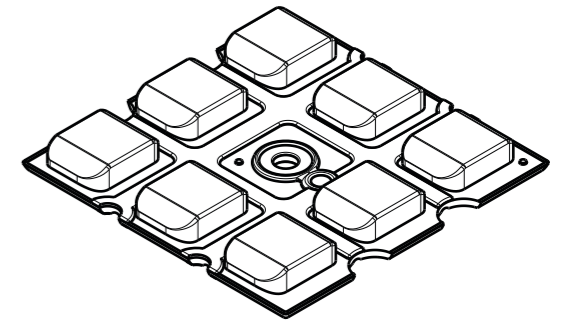
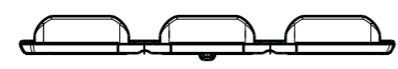
1

4

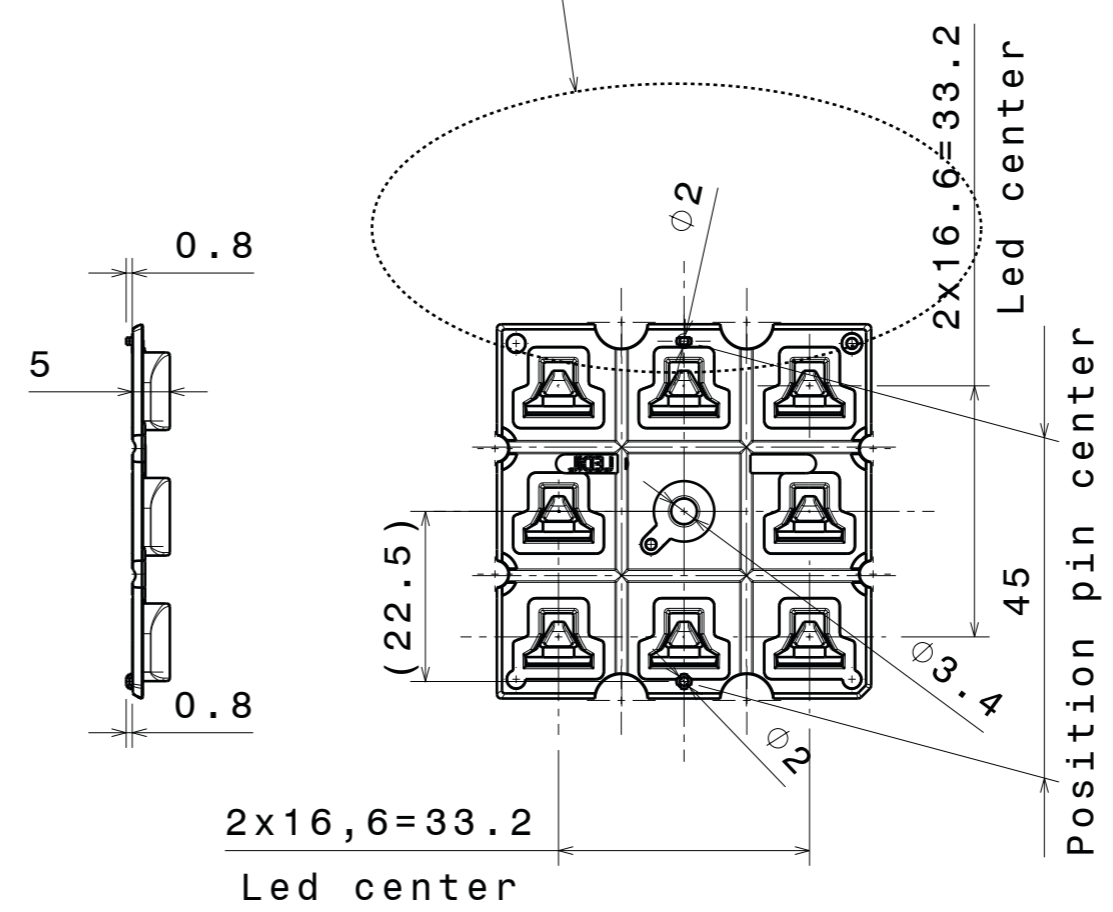
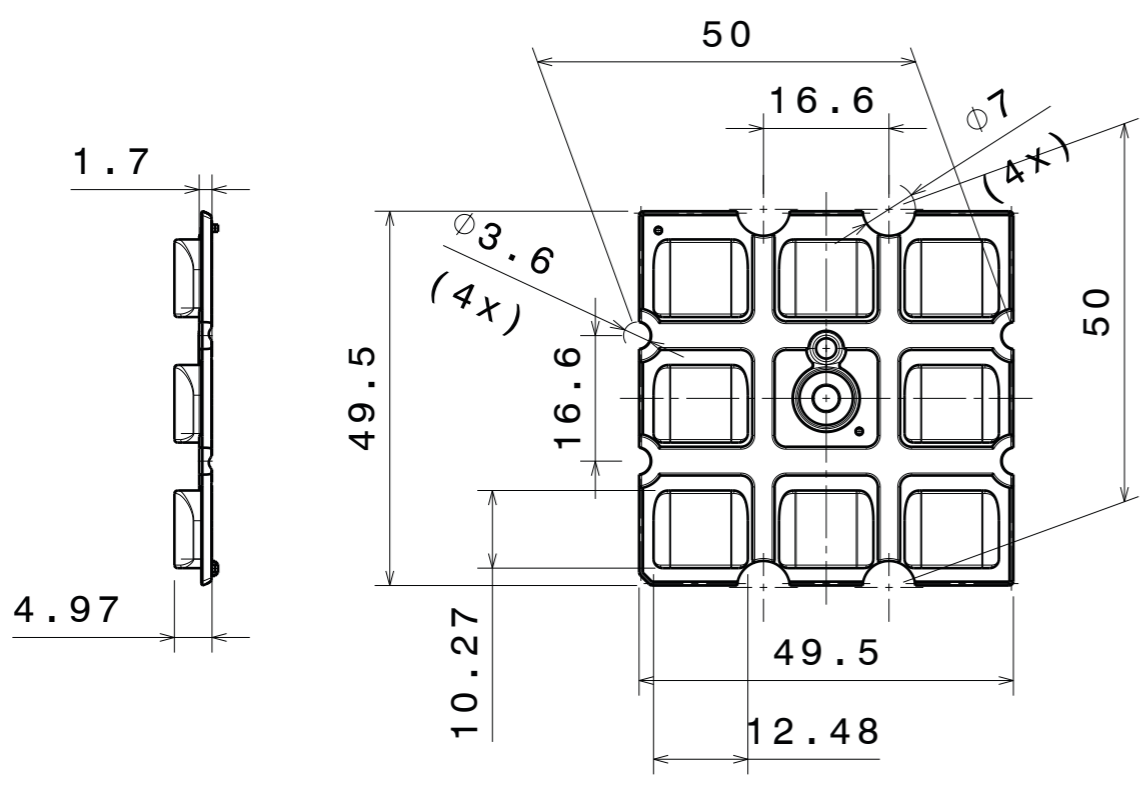
3

2

1



Light direction



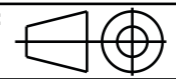
Recommended fixing screw torque 0,6Nm

INDEX	PART NO	DESCRIPTION	MATERIAL	COLOUR
1	C15035	STRADELLA-8-T3	PMMA	Clear

Tolerances if not otherwise shown
According to DIN ISO 2768-1
Linear measures:
up to 30mm class M, otherwise class C
According to DIN ISO 2768-2
Form and position: class L

LEDiL Ledil Oy
Salorankatu 10
FIN 24240 SALO
Finland

THIRD ANGLE PROJECTION:



DRAWING TITLE
C15035_STRADELLA-8-T3

This drawing is the property of LEDiL Oy. It may not be reproduced, copied or communicated without a written agreement with LEDiL Oy.

SIZE PART NUMBER
A3 C15035

SCALE 1:1 WEIGHT 6,0 SHEET 1/1

H G F E D C B A