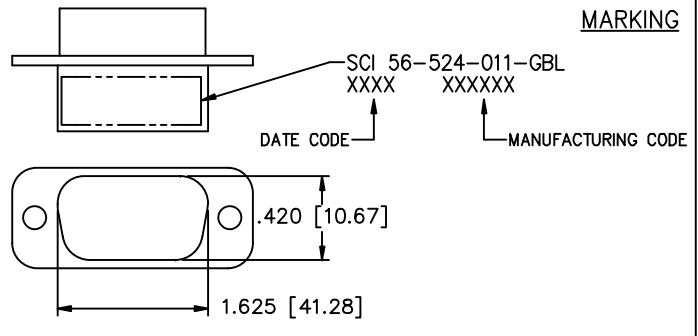
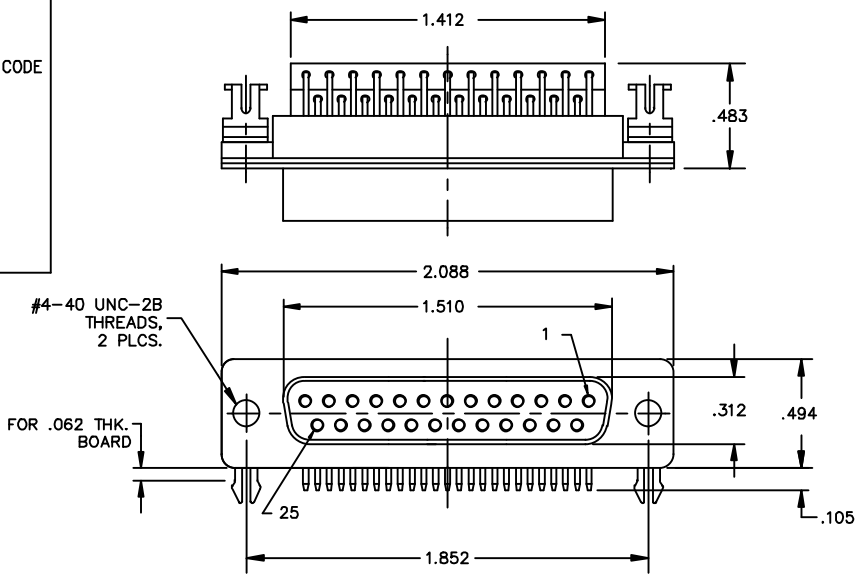


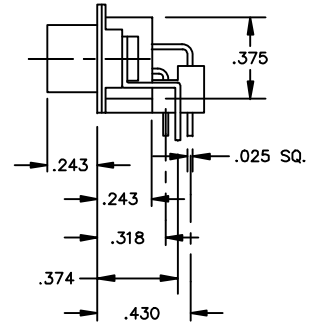
CONN SIZE	FILTER DESIGNATION	FILTER CIRCUITS	CAPACITANCE		3 dB MAX CUTOFF FREQ (MHz)	DIELECTRIC WITHSTANDING VOLTAGE	CONTACT RATING	CONTACT RESIST	WORKING VOLTAGE DC -25°C TO +125°C	MINIMUM INSERTION LOSS-DECIBELS (dB)			
			VALUE	TOLERANCE						20 MHz	100 MHz	500 MHz	1 GHz
25	011	FT	440pF	+30% -30%	11	300 V	5 AMPS	.010 OHM MAX	100 VDC	2	13	26	32



† ALL TEST CONDITIONS AT 25°C. 50% RELATIVE HUMIDITY.
CAP. PER MIL-STD-202 METHOD 305, 1.0 VRMS MAX. 1KHz.
D.W.V. PER MIL-STD-202 METHOD 301, 1-5 SEC. 50 mA MAX.
I.R. PER MIL-STD-202 METHOD 302.
I.L. PER MIL-STD-220, NO LOAD CONDITION.



- NOTES:**
1. SHELL: STEEL, TIN PLATE
 2. INSULATORS: UL94V-0
 3. CONTACTS: COPPER ALLOY; .000030 GOLD IN SOCKET CONTACT MATING AREAS
 4. FERRITE BLOCK ASSEMBLED ONTO CONNECTOR.
 5. I.R. : 1G ohm MIN.



THIS DOCUMENT CONTAINS PROPRIETARY INFORMATION AND IS COPYRIGHTED. EXCEPT WITH THE WRITTEN PERMISSION OF SPECTRUM CONTROL INC., OR ITS SUBSIDIARIES, SUCH INFORMATION SHALL NOT BE PUBLISHED OR DISCLOSED TO OTHERS OR USED FOR ANY PURPOSE AND THIS DOCUMENT SHALL NOT BE DUPLICATED IN WHOLE OR IN PART.

					00	REV. NCI.
					CN 55664-ENG	CHANGE NOTICE

UNLESS OTHERWISE SPECIFIED DIMENSIONS ARE IN INCHES.
DO NOT SCALE.
THIRD ANGLE PROJECTION

TOLERANCES UNLESS OTHERWISE SPECIFIED	Fractions ± 1/64
Dec. .xx±	
Dec. .xxx±	.015
Angles ±0° 30'	
CODE IDENT. NO.	OLSP2

SPECTRUM CONTROL INC.
Dwn. KAUFFMAN
Date 9-20-10
Engr. GRUNAUER
Sheet 1 of 1

FAIRVIEW PENNSYLVANIA
Description 25 POSITION LOW PROFILE, SOCKET/RT. ANGLE FILTERED CONNECTOR
56-524-011-GBL