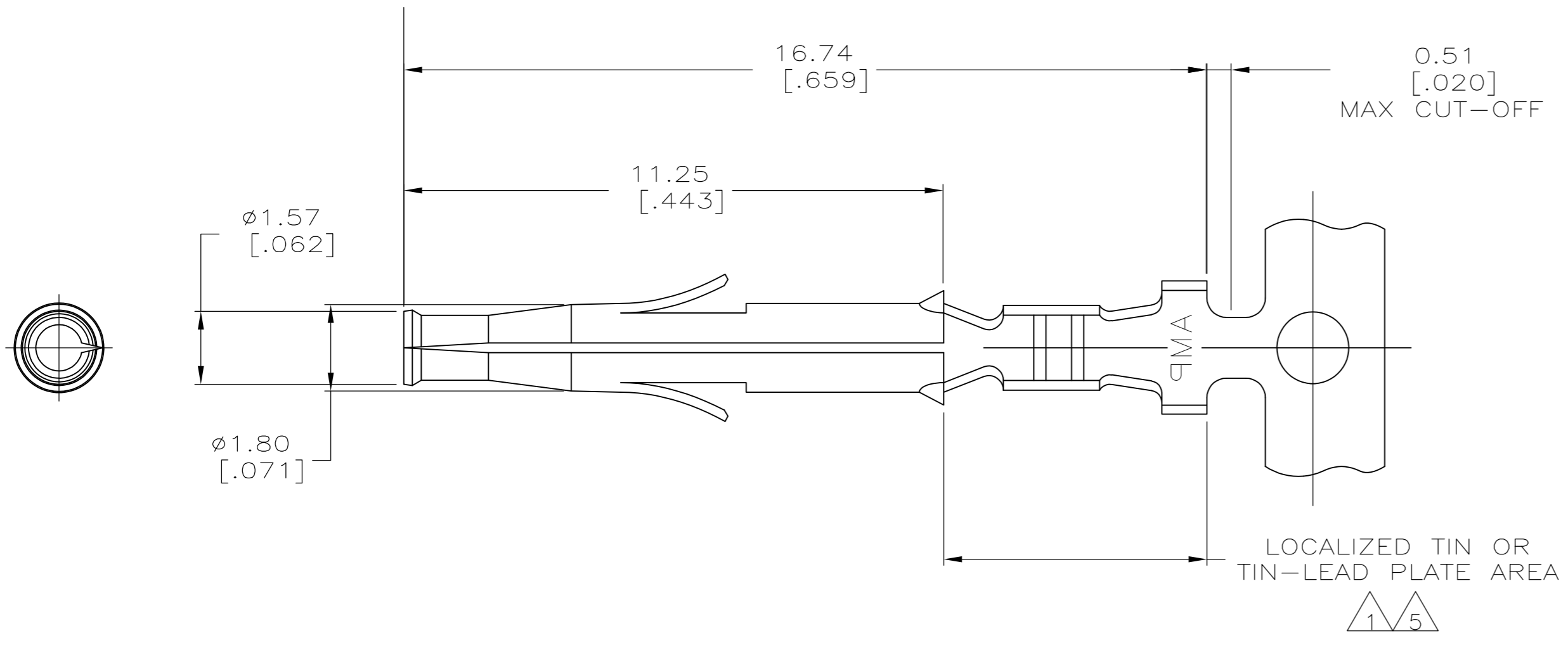
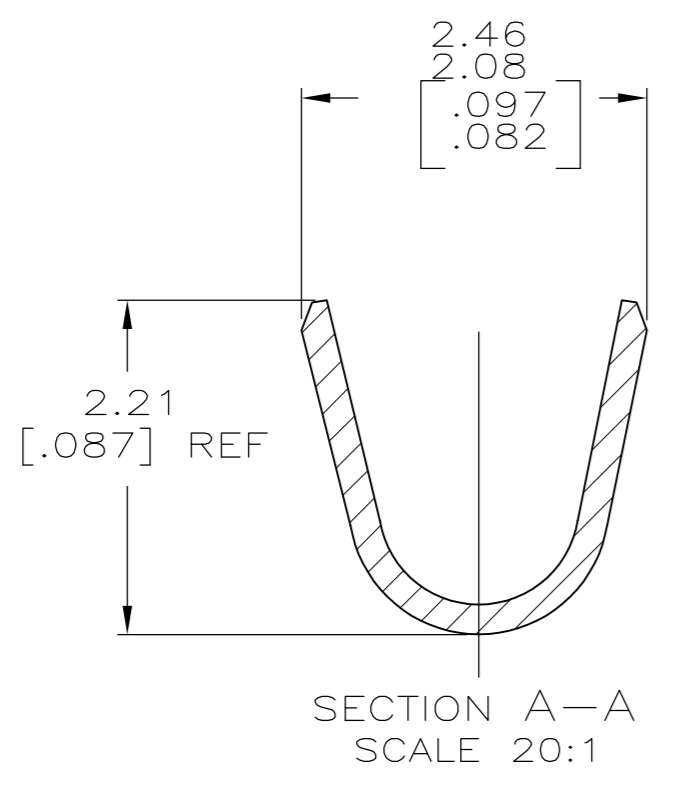
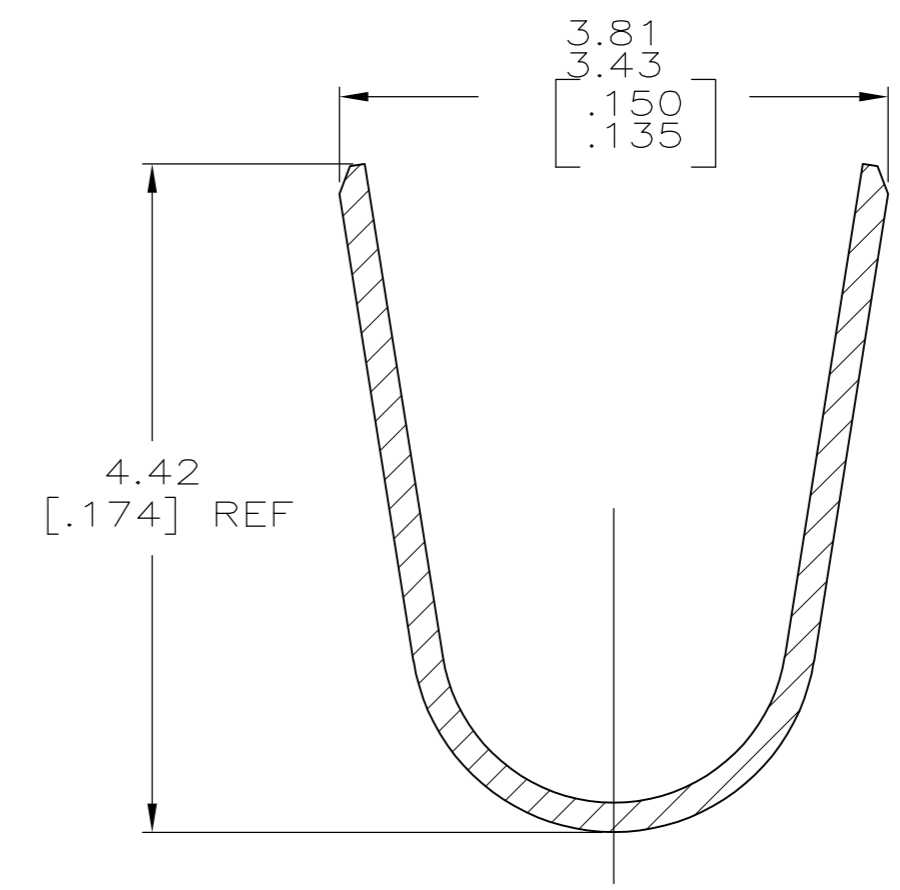
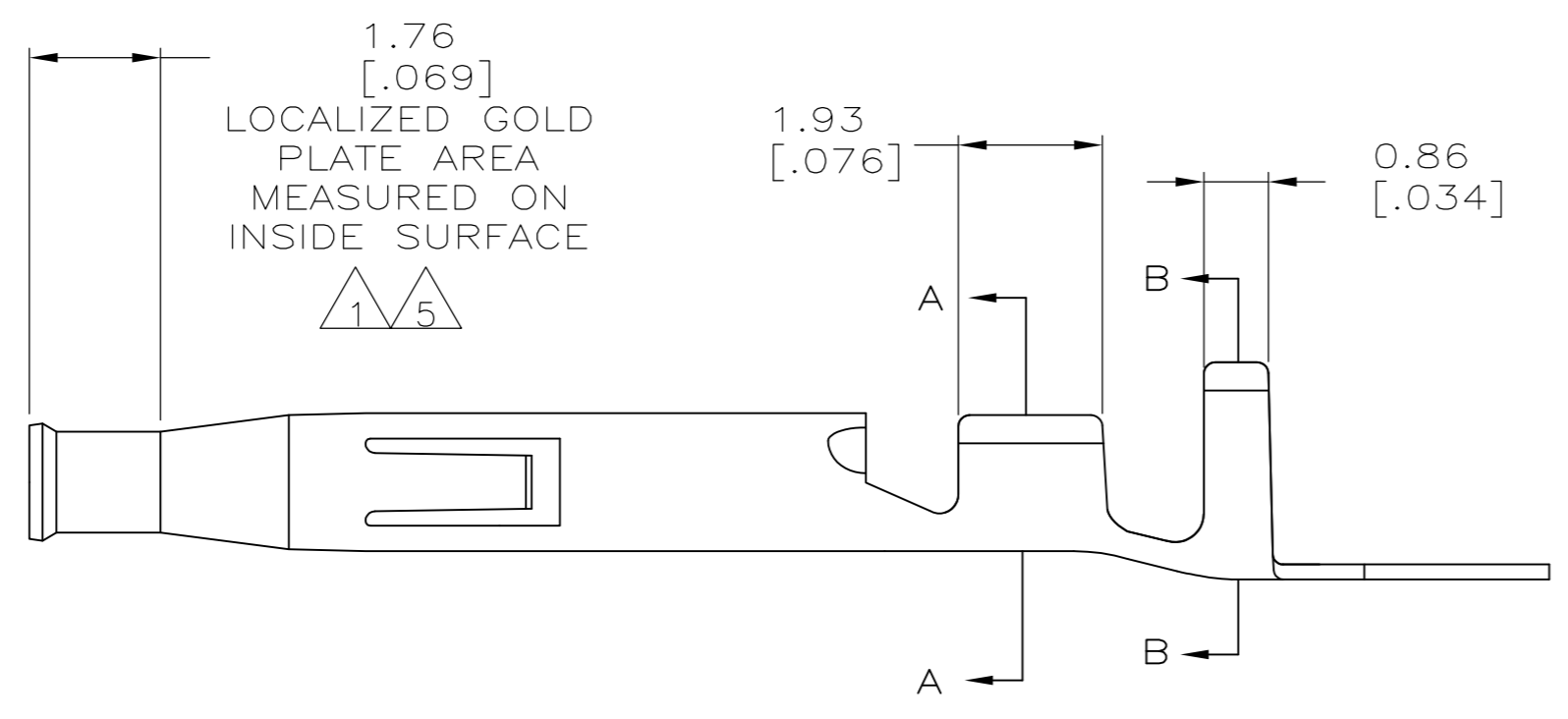


THIS DRAWING IS UNPUBLISHED. RELEASED FOR PUBLICATION
 © COPYRIGHT - By - ALL RIGHTS RESERVED.

LOC		DIST		REVISIONS			
P	LTR	DESCRIPTION		DATE	DWN	APVD	
CM	53	C		ECO-13-000901	08MAR2013	MGT R.P	



- 1. 0.00076 [.000030] MIN GOLD IN LOCALIZED GOLD PLATE AREA AND 0.00254 [.000100] MIN BRIGHT TIN-LEAD IN LOCALIZED TIN-LEAD PLATE AREA OVER 0.0013 [.000050] MIN NICKEL.
- 2. DIMENSIONS IN BRACKETS ARE IN INCHES.
- 3. INSULATION RANGE :1.50-2.40[.060-.094] DIA.
- 4. WIRE RANGE: 0.3 - 0.9mm² (22-18 AWG).
- 5. 0.00076 [.000030] MIN GOLD IN LOCALIZED GOLD PLATE AREA AND 0.00254 [.000100] MIN MATTE TIN IN LOCALIZED TIN PLATE AREA OVER 0.0013 [.000050] MIN NICKEL.



5	0.20 [.008] BRASS	1-794137-0
1	0.20 [.008] BRASS	794137-3
PRE-TIN	0.20 [.008] BRASS	794137-1
FINISH	MATERIAL	PART NUMBER

METRIC

THIS DRAWING IS A CONTROLLED DOCUMENT.		DWN R.VESTAL 17OCT96	TE TE Connectivity	
DIMENSIONS: mm [INCHES]		CHK R.SWING 17OCT96		
TOLERANCES UNLESS OTHERWISE SPECIFIED:		APVD R.ORSTAD 17OCT96	NAME	
0 PLC ± -	1 PLC ± -	PRODUCT SPEC	SOCKET, MINI UNIVERSAL MATE-N-LOK(TM)	
2 PLC ± -	3 PLC ± 0.15[.006]	APPLICATION SPEC	SIZE A2	CAGE CODE 00779
4 PLC ± -	ANGLES ± 1°	WEIGHT -	DRAWING NO C=794137	RESTRICTED TO -
MATERIAL SEE TABLE	FINISH SEE TABLE	CUSTOMER DRAWING	SCALE 10:1	SHEET 1 of 1
			REV C	