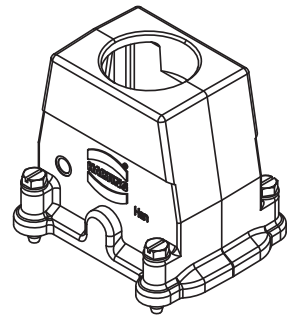
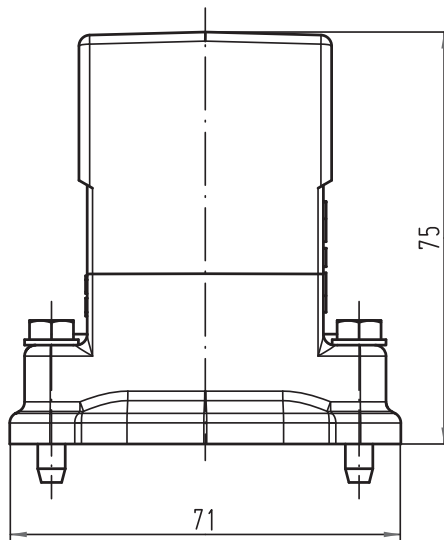
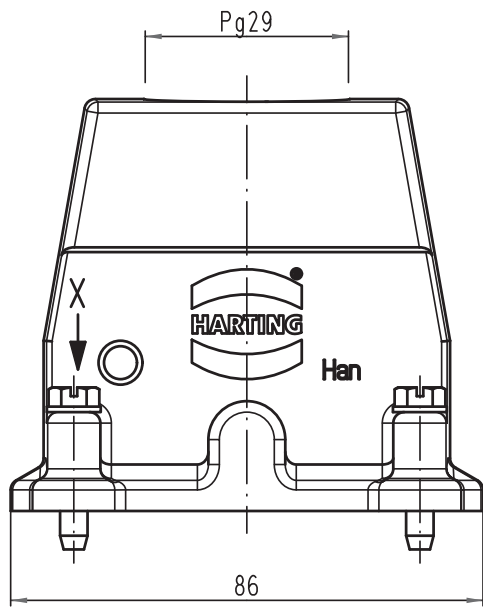
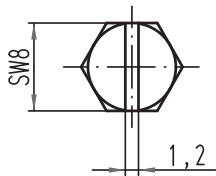


Alle Rechte vorbehalten/ All rights reserved



X (2:1)



|   |      |                   |                                |              |   |  |
|---|------|-------------------|--------------------------------|--------------|---|--|
| All Dimensions in mm<br>Original Size DIN A 4 |      | Techn. Character. |                                |              | Nicht tolerierte Maßel Free size tolerances |  |
|   |      |                   | Dat.                           | Name         | Maßstab/Scale<br><b>1:1</b>                 | <b>Han 10HP-gg-29</b><br>Tüllengehäuse<br>hood                 |
|   |      |                   | Detail.                        | 05.11.10 gru |   |  |
|   |      |                   | Insp.                          | Tie          |   |  |
|   |      |                   | Stand.                         |              |   |  |
| A   |      |                   | HARTING Electric GmbH & Co. KG |              |   | <b>TB 09 39 010 0407</b><br>Sub. TB 09 39 010 0407 v. 21.07.05 |
| Mod.  | Dat. | Name              | D-32339 Espelkamp              |              |   |  |
|   |      |                   |                                |              |   | Blatt/ page  |