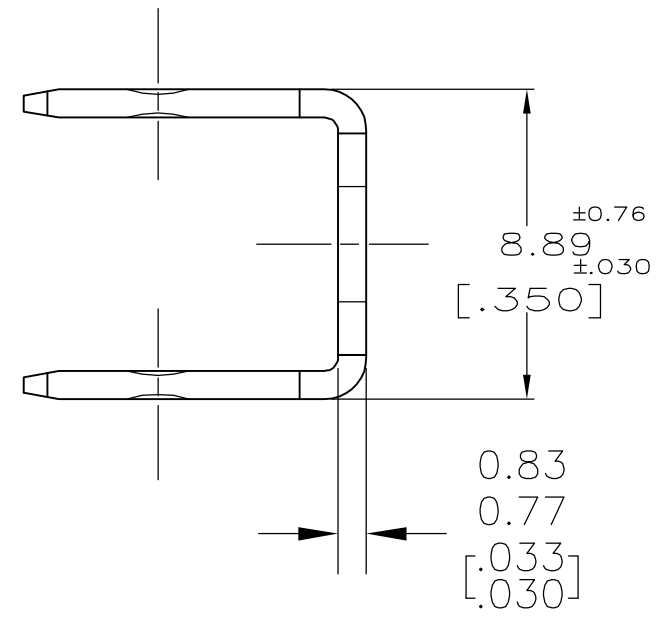
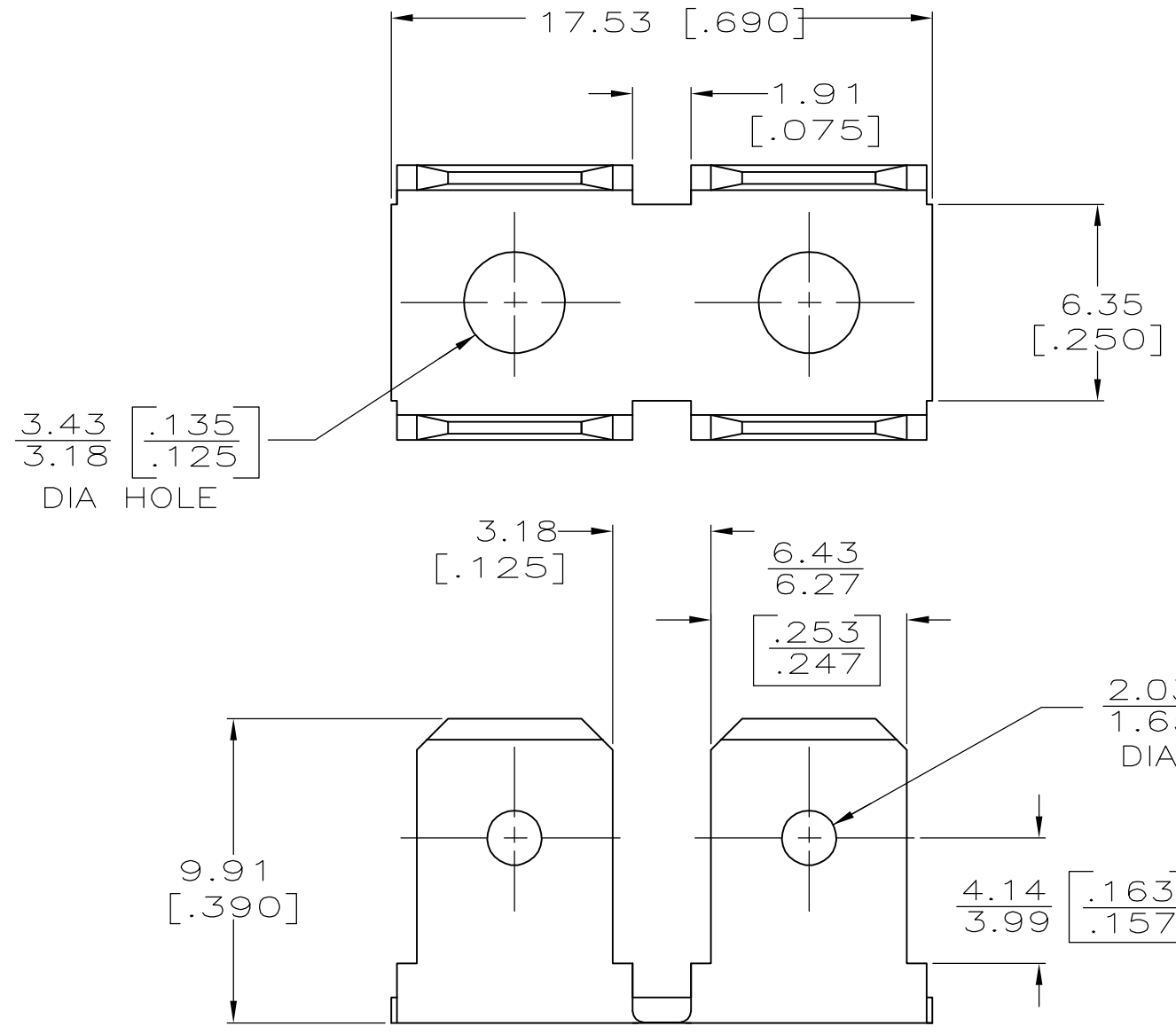


THIS DRAWING IS UNPUBLISHED. RELEASED FOR PUBLICATION
 © COPYRIGHT BY TYCO ELECTRONICS CORPORATION. ALL RIGHTS RESERVED.

LOC	DIST	REVISIONS					
AF	50	P	LTR	DESCRIPTION	DATE	DWN	APVD
			AF	REV PER ECR-05-017287	29MAR06	HMR	JR

1 SUPPLIED IN LOOSE PIECE



41481
PART NO

THIS DRAWING IS A CONTROLLED DOCUMENT.		DWN	JR RUTH	12/2/91		Tyco Electronics Corporation	
		CHK	MS FEHER	12/2/91		Harrisburg, PA 17105-3608	
		APVD	MEYERS	12/2/91		NAME	
DIMENSIONS: mm [INCHES]		TOLERANCES UNLESS OTHERWISE SPECIFIED: 0 PLC ± - 1 PLC ± - 2 PLC ± - 3 PLC ± 0.38 [.015] 4 PLC ± - ANGLES ± -		PRODUCT SPEC - APPLICATION SPEC - WEIGHT -		TAB, FASTON, 6.35 [.250] SERIES	
MATERIAL 082 BRASS		FINISH TIN		SIZE A3		CAGE CODE 00779	DRAWING NO C-41481
CUSTOMER DRAWING				SCALE	5:1	SHEET	1 OF 1
				REV	AF		