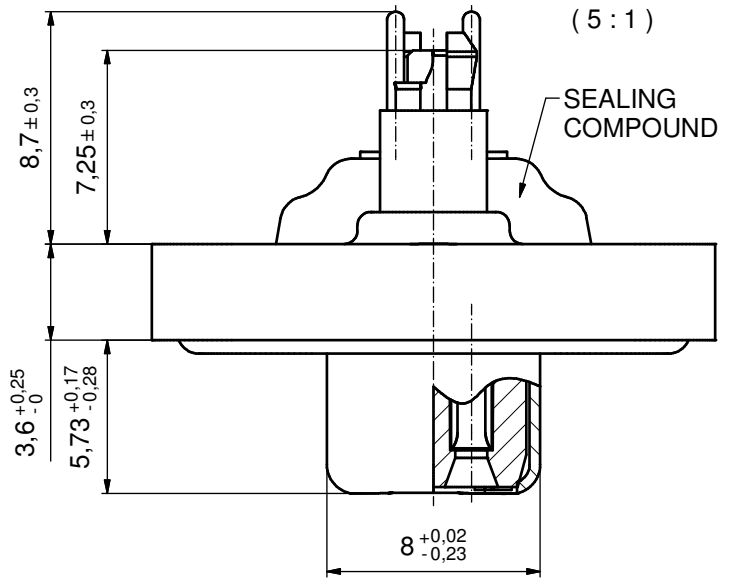
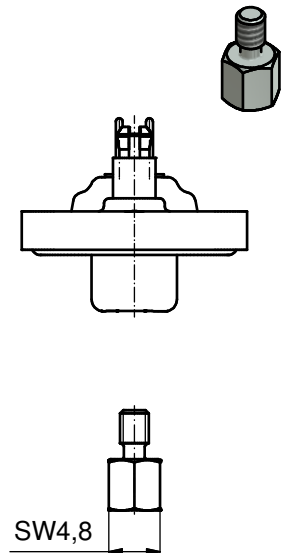
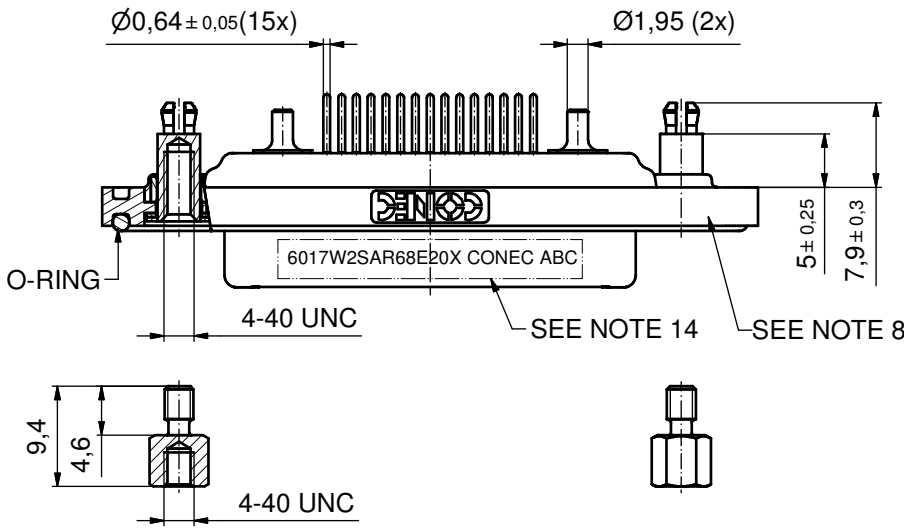
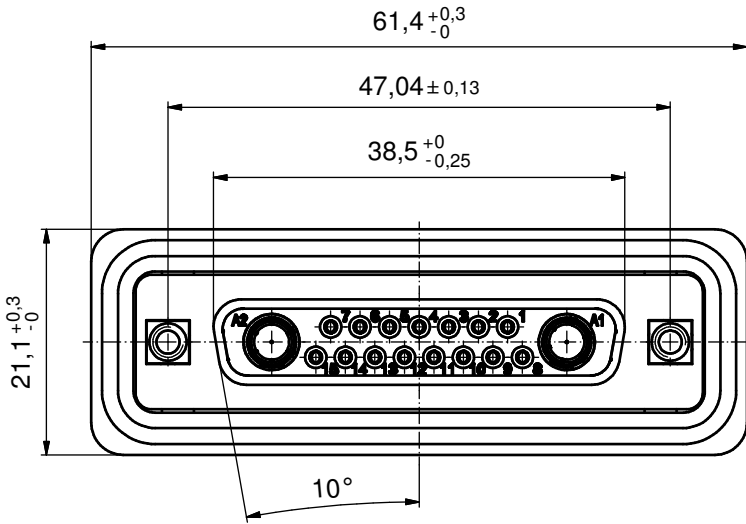
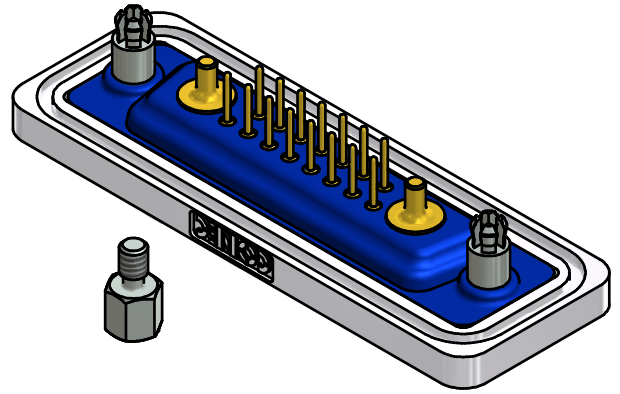


**NOTES:**

1. FOR WAVESOLDERING (SOLDER BATH TEMPERATURE 240°C FOR 5 SEC. AND SOLDER PREHEAT 120°C FOR 120 SEC.)
2. METALSHELLS: COPPER ALLOY; min. 315µin TIN over 40-80µin NICKEL
3. INSULATORS: PBT GF UL 94 V-0; BLACK
4. CONTACTS: COPPER ALLOY  
PLATING: GOLD FLASH over NICKEL
7. HIGH POWER CONTACT 20A: COPPER ALLOY  
PLATING MATING AREA: GOLD FLASH over NICKEL  
PLATING TERMINATION SIDE: 160-240µin TIN over 80µin NICKEL
6. THREADED SPACER CLIPS: COPPER ALLOY;  
min. 200µin TIN over 80µin NICKEL  
PCB-HOLE:  $\varnothing 3,1 \pm 0,1$ ; PCB THICKNESS 1,6mm
7. COLLARS: COPPER ALLOY; min. 200µin TIN over 80µin NICKEL
8. FRAME: ZINC DIE CAST; NICKEL PLATED
9. O-RING: SILICON; BLUE
10. SEALING COMPOUND: PUR; BLUE
11. HEXLOCKING SCREWS: STAINLESS STEEL
12. P.C.B. HOLE DRILLINGS + RECOMMENDED PANEL CUT-OUT ON SHEET 2
13. RECOMMENDED TORQUE FOR MOUNTING SCREW 35Ncm (3.1 in.LB)  
/ max. 40Ncm (3.5 in.LB)
14. CONNECTOR IS PART MARKED: 6005W1SAR68E20X CONEC ABC



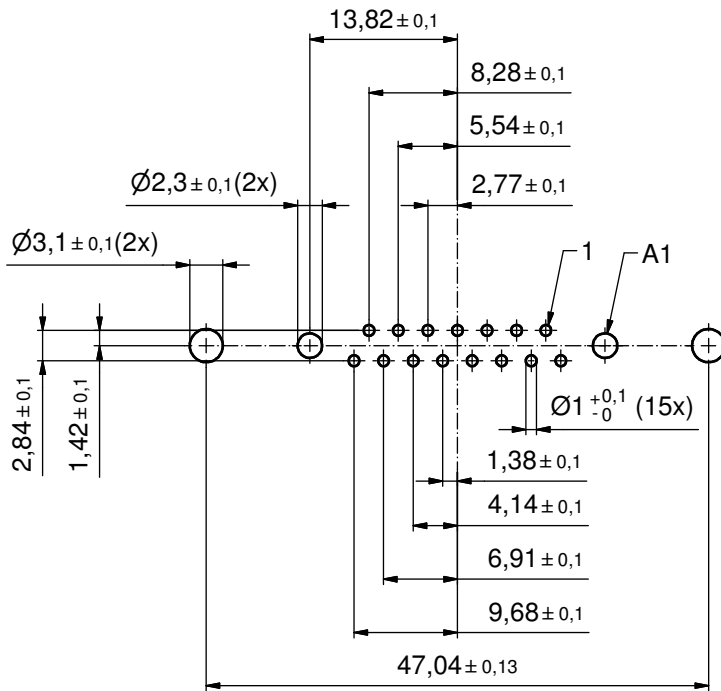
AT ALL TIMES WATER RESISTANT CONNECTORS NOT IN USE SHOULD BE COVERED WITH A CONEC WATER RESISTANT CAP OR WATER TIGHT HOOD.



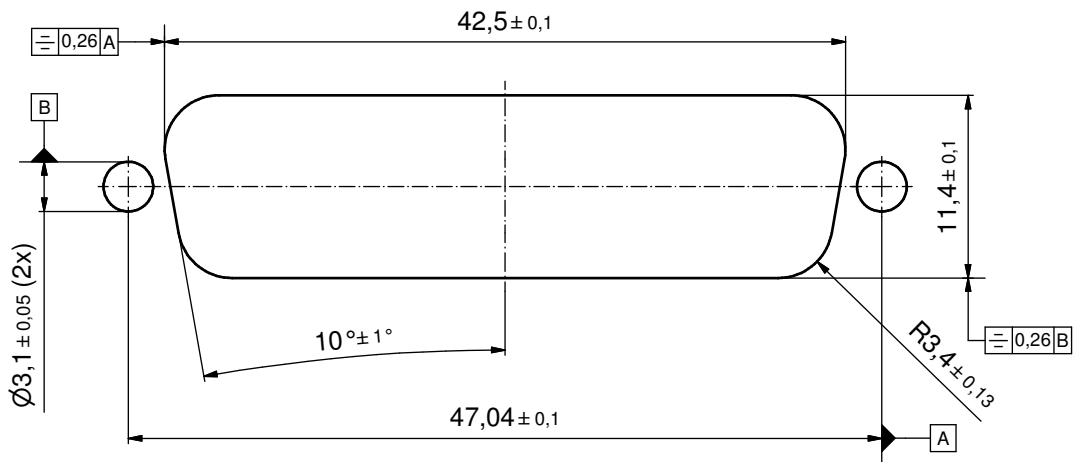
Directive 2002/95/EC RoHS compliant

|   |             |          |            |  |           |                 |  |
|---|-------------|----------|------------|--|-----------|-----------------|--|
| THIS DRAWING MAY NOT BE COPIED OR REPRODUCED IN ANY WAY, AND MAY NOT BE PASSED ON TO A THIRD PARTY WITHOUT WRITTEN PERMISSION. OWNERSHIP AND COPYRIGHT OF CONEC GmbH DO NOT ALTER CAD DRAWING BY HAND | tolerance   |          | dim. in mm |  | scale:    | 2:1 (5:1)       |  |
|   |             |          |            |  | material: | SEE NOTE        |  |
|   | date        | name     | title:     |  |           |                 |  |
|   | drawn       | 30.05.12 | Henneboel  | D-SUB FEMALE                                   |           |                 |  |
|   | appd.       | 30.05.12 | Fischer    | 17W2S  |           |                 |  |
|   | norm        |          |            | with threaded spacer clip and hexlocking screw |           |                 |  |
| d-old   |             |          | dwg no:    |  |           | DIN-A3          |  |
| a   | Original    |          | 15K1A1054  |  |           | sh: 1/2         |  |
| rev.  | description | date     | name       | part no:                                       |           | 6017W2SAR68E20X |  |
| <b>CONEC</b> <sup>®</sup>   |             |          |            |  |           |                 |  |
|   |             |          |            |  |           |                 |  |

P.C.B. HOLE DRILLINGS  
(P.C.B. TOP SIDE)



RECOMMENDED PANEL CUT-OUT



|   |       |          |                      |  |         |                       |
|---|-------|----------|----------------------|--|---------|-----------------------|
| THIS DRAWING MAY NOT BE COPIED OR REPRODUCED IN ANY WAY, AND MAY NOT BE PASSED ON TO A THIRD PARTY WITHOUT WRITTEN PERMISSION. OWNERSHIP AND COPYRIGHT OF CONEC GmbH DO NOT ALTER CAD DRAWING BY HAND |       |          |                      | tolerance                                      |         | scale: 2:1            |
|   |       |          |                      | dim. in mm                                     |         | material: SEE SHEET 1 |
|   | drawn | 30.05.12 | Henneboel            | title:   |         |                       |
|   | appd. | 30.05.12 | Fischer              | P.C.B. HOLE DRILLINGS                          |         |                       |
|   | norm  |          |                      | D-SUB COMBINATION FEMALE 17W2S                 |         |                       |
|   | d-old |          |                      | with threaded spacer clip and hexlocking screw |         |                       |
|   | rev.  | a        | Original             | dwg no: 15K1A1054                              |         | DIN-A3                |
| description   |       |          | part no: SEE SHEET 1 |  | sh: 2/2 |                       |