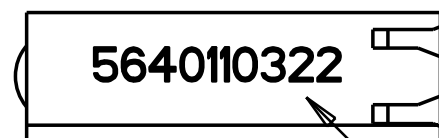
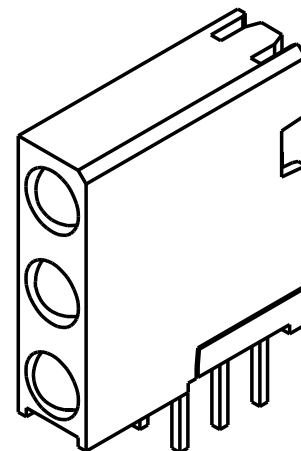
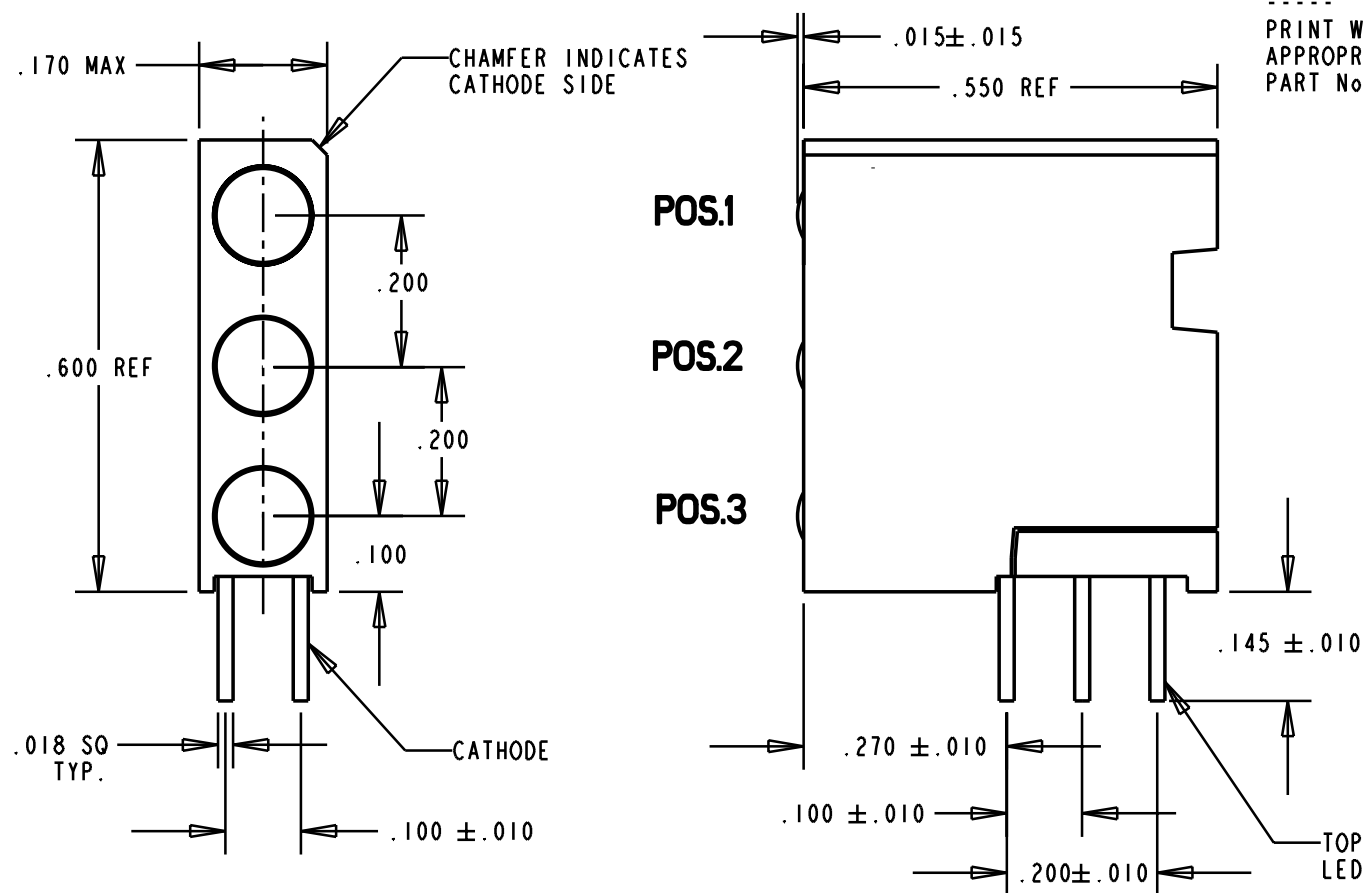


PART NUMBER and LEGEND	LED COLOR		
	POSITION 1	POSITION 2	POSITION 3
	564-0110-322	YELLOW TINTED DIFF.	GREEN TINTED DIFF.

REV.	ECN NO.	REVISIONS	DRN.	CKD.	APP.	DATE
A	—	NEW RELEASE	DC	YC	N.O.	1-15-99
B	—	REORIENTED PRINTING.	TC			

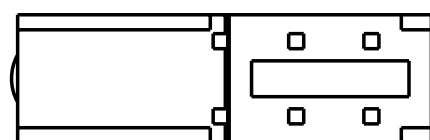
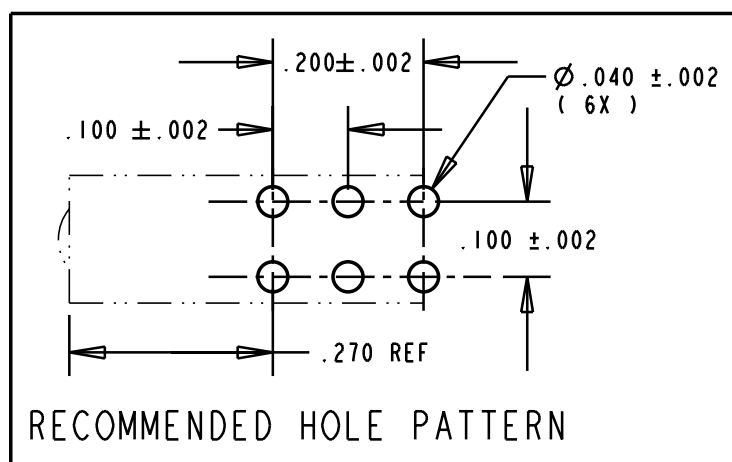


LEGEND AREA  
-----  
PRINT WITH  
APPROPRIATE  
PART No



OPERATING CHARACTERISTICS AT 25°C AMBIENT						
CHARACTERISTICS	LED COLOR	MIN	TYP	MAX	UNITS	TEST CONDITIONS
LUMINOUS INTENSITY	YELLOW	7.4	10.0		mcd	I <sub>F</sub> = 10 mA
	GREEN	4.7	12.6			
FORWARD VOLTAGE	YELLOW	2.1	2.8		V	I <sub>F</sub> = 20 mA
	GREEN	2.1	2.8			
REVERSE CURRENT	ALL			100	μA	V <sub>R</sub> = 5 V
PEAK WAVELENGTH	YELLOW		585		nm	
	GREEN		565			
VIEWING ANGLE	ALL		60		Degree	
CAPACITANCE	YELLOW		15		pf	V <sub>F</sub> = 0, f = 1 MHz
	GREEN		35			

ABSOLUTE MAXIMUM RATING AT 25°C AMBIENT			
	UNITS	YELLOW	GREEN
POWER DISSIPATION	mW	60	100
CONTINUOUS FORWARD CURRENT	mA	20	30
DERATE LINEARLY FROM 50°C	mA/°C	0.25	0.4
PEAK FORWARD CURRENT (1/10 DUTY CYCLE, 0.1 ms PULSE WIDTH)	mA	80	120
LEAD SOLDERING TEMPERATURE, 5 SEC., 1/16" FROM BODY	°C	260	260
OPERATING TEMPERATURE	°C	-55 TO 100	-55 TO 100
STORAGE TEMPERATURE	°C	-55 TO 100	-55 TO 100



- NOTES:  
1- LEADS TO FIT INTO HOLES SPACED AS PER HOLE PATTERN.  
2- LED LEAD DIMENSIONS SHOWN ARE MEASURED AT HOUSING EXIT.  
3- DIALIGHT PART NUMBER 564-0110-322

THIS DRAWING AND THE CONTENTS HEREIN ARE CONFIDENTIAL AND THE SOLE PROPERTY OF DIALIGHT. REPRODUCTION OF THIS DRAWING OR CONSTRUCTION OF ANY PARTS WITHIN THIS DRAWING ARE FORBIDDEN WITHOUT THE WRITTEN CONSENT OF DIALIGHT.

SCALE 4:1 ALL DIM'S IN: INCHES	DRAWING NUMBER C-16464	REV B
TOLERANCES: UNLESS OTHERWISE SPECIFIED	TITLE EXTENDED TRI-LEVEL CBI BLOCK	
FRACTIONS: ±1/64 DECIMALS (.XX): ±.020 DECIMALS (.XXX): ±.015	MATERIAL	
ANGLES: ±3°	Dialight 1913 ATLANTIC AVE. MANASQUAN, N.J. 08736	
FINISH:	FSCM 83330	SHEET OF FAMILY TABLE: