

# CGA9N3X7R2E684K230KA

TDK Item Description : CGA9N3X7R2E684KT\*\*\*\*



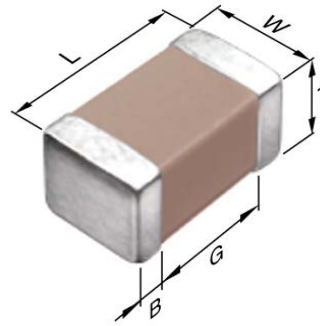
Equivalent C5750X7R2E684K for Automotive

## Application & Main Feature

Automotive Grade ( Mid Voltage (100 to 630V) )

## Series

CGA9(5750) [EIA CC2220]



## Dimensions

L 5.70mm +/-0.4mm  
 W 5.00mm +/-0.4mm  
 T 2.30mm +/-0.2mm  
 B 0.20mm Min.  
 G

## Temperature Characteristic

X7R (-55 to 125 degC +/-15%)

## Rated Voltage

2E (250Vdc)

## Capacitance

680nF

## Capacitance Tolerance

K (+/-10%)

## Dissipation Factor

3% Max.

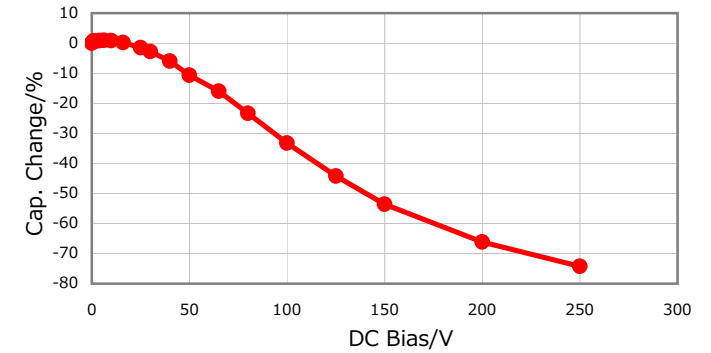
## Insulation Resistance

735Mohm Min.

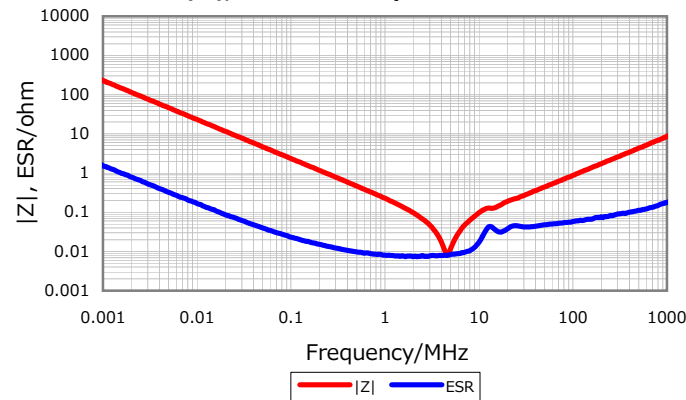
## AEC-Q200

Yes

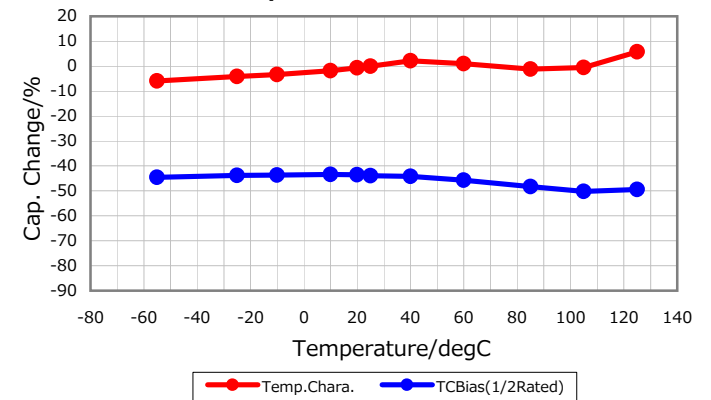
## DC Bias Characteristic



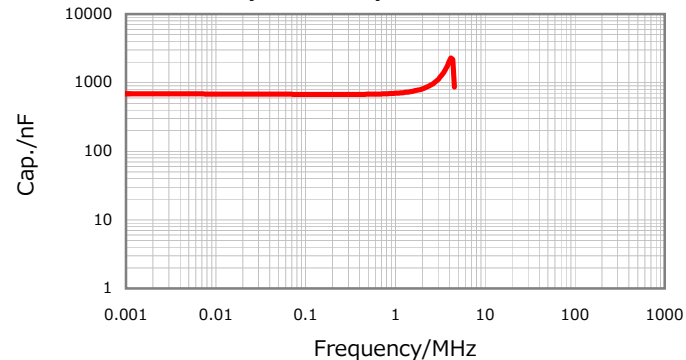
## |Z|, ESR vs. Freq. Characteristics



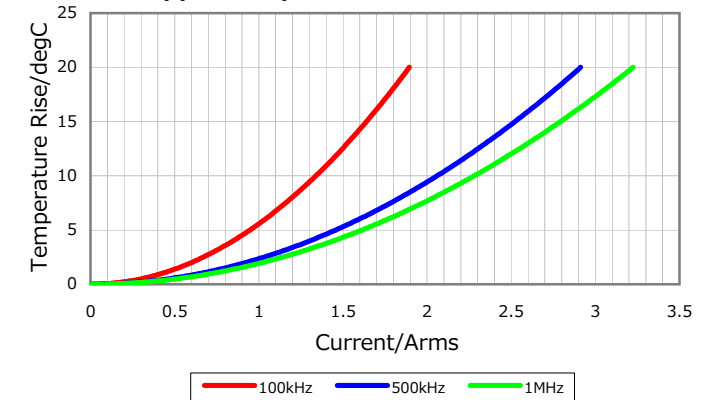
## Temperature Characteristics



## Cap. vs. Freq. Characteristic



## Ripple Temperature Rise Characteristics



Characterization Sheet ( Multilayer Ceramic Chip Capacitors )



⚠ All specifications are subject to change without notice.

January 4, 2016