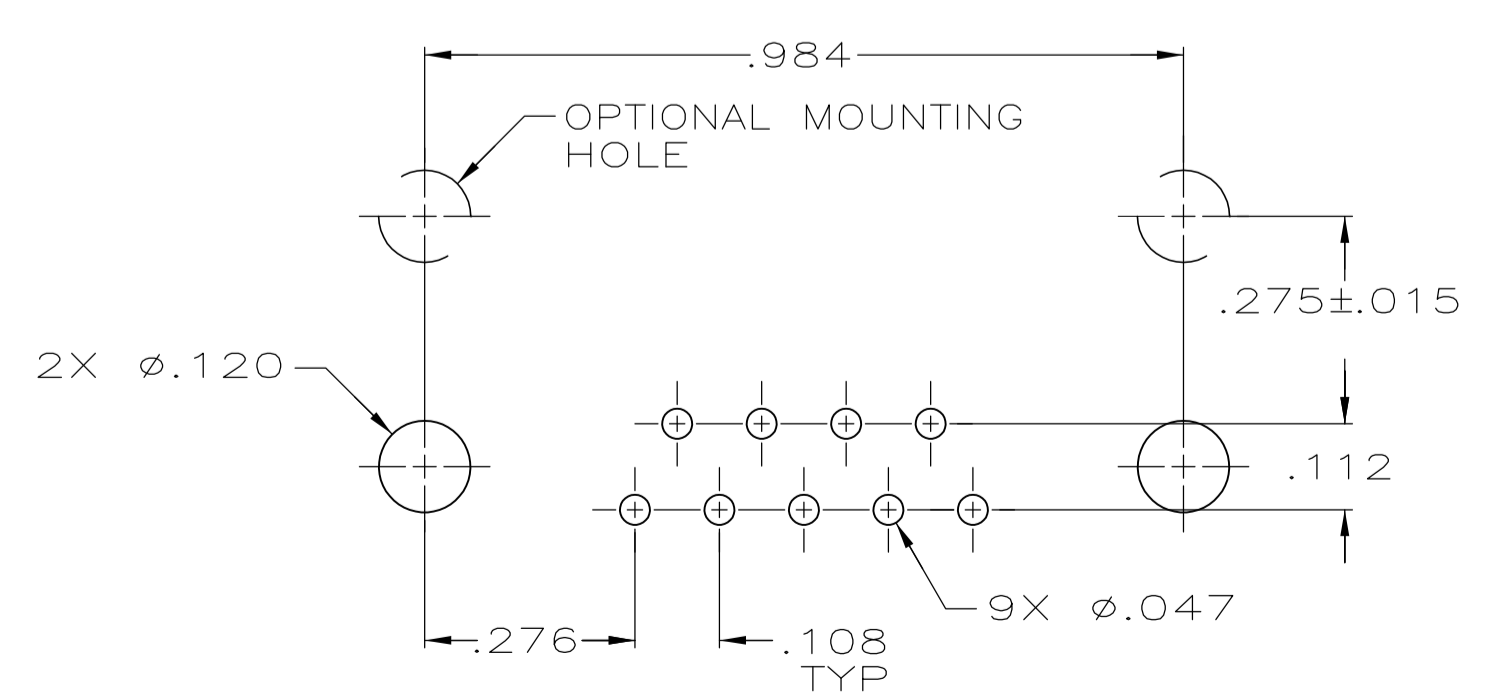
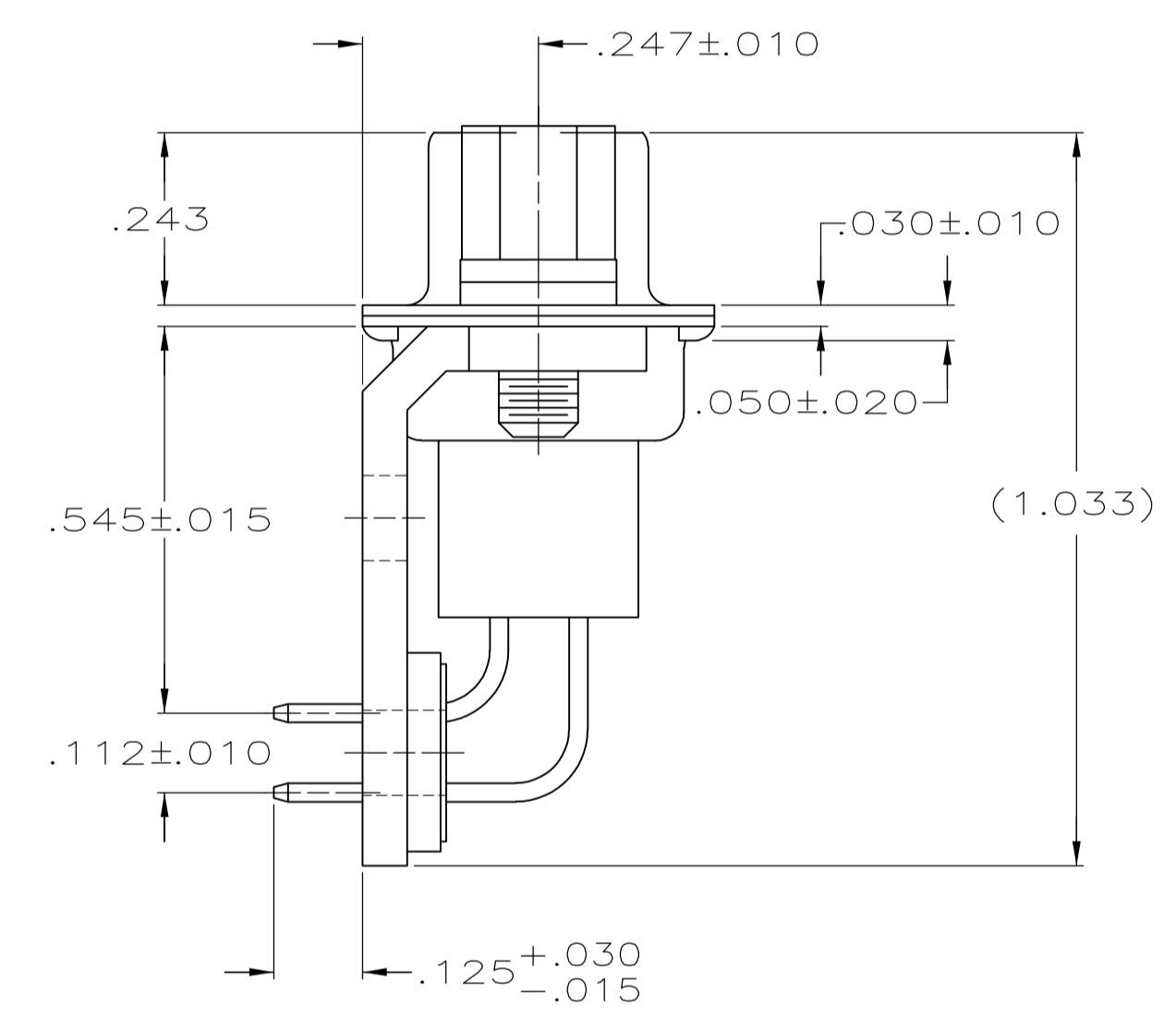
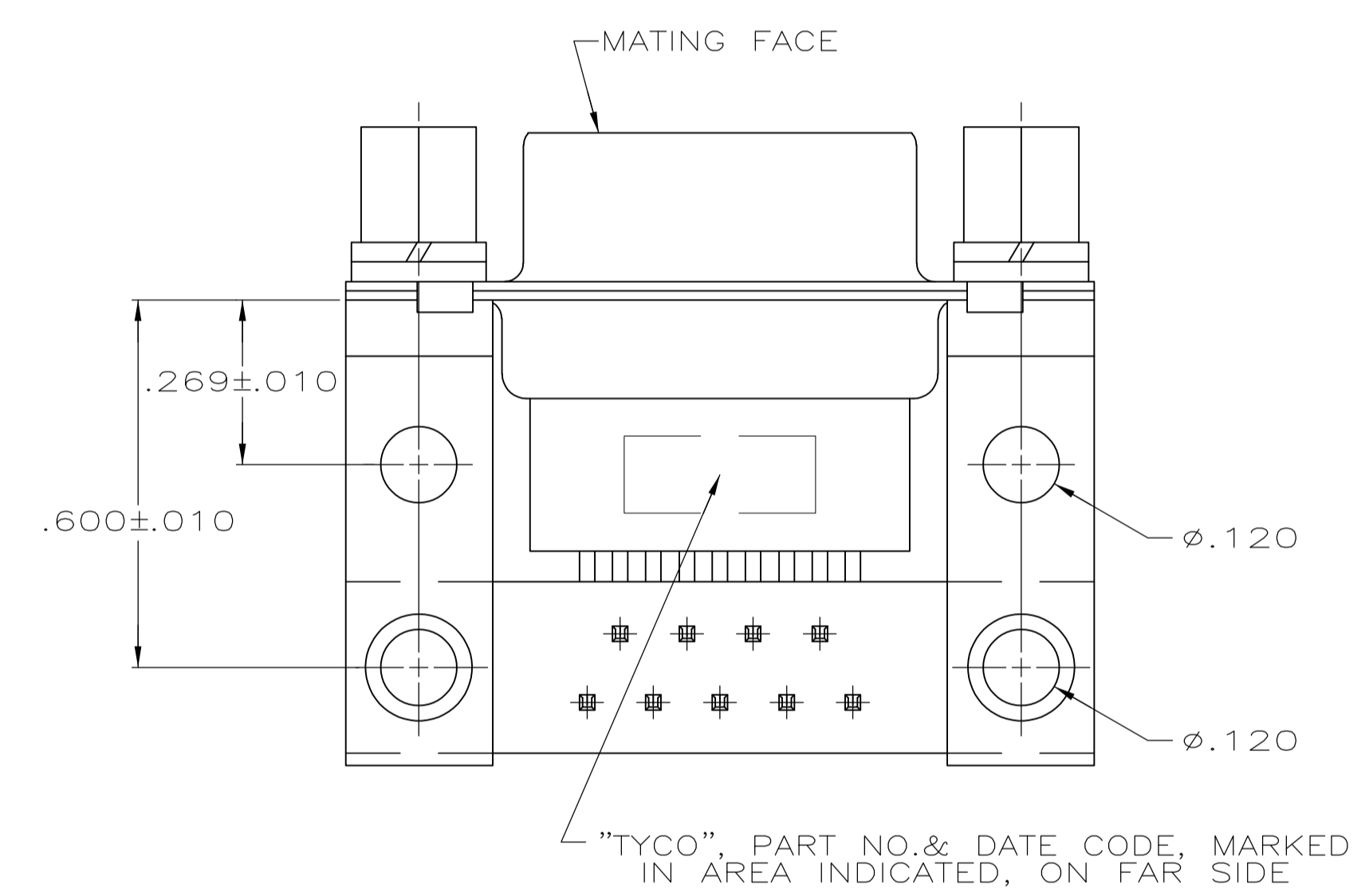
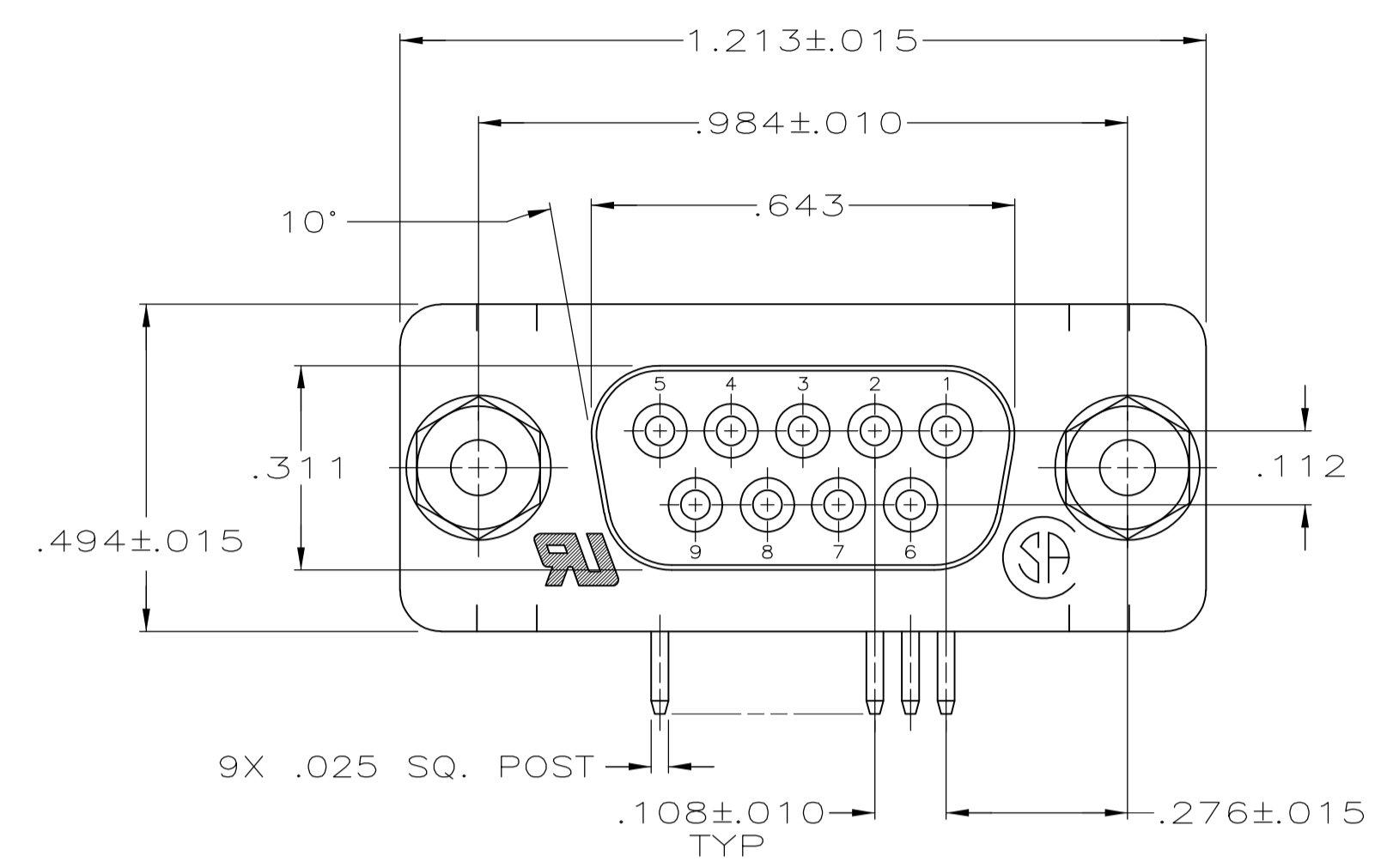


LOC		DIST		REVISIONS			
P	LTR	DESCRIPTION	DATE	DN	APD	REV	BY
B		REVISED PER ECO-14-011808	12AUG2014	AP	SB		



P.C. BOARD MOUNTING DIMENSIONS

- 1 MOLDED PARTS: GLASS-FILLED PBT OR GLASS-FILLED NYLON, UL94V-0 RATED. COLOR: BLACK.
SHELLS & BRACKETS: CARBON STEEL.
CONTACTS: PHOSPHOR BRONZE.
SCREWLOCKS AND WASHERS: CARBON STEEL.
- 2 SHELLS: .000200 MIN TIN OVER .000100 MIN COPPER.
CONTACTS: SEE TABLE.
BRACKETS: .000200 MIN TIN OVER .000050 MIN COPPER.
SCREWLOCKS AND WASHERS: ZINC PLATED WITH CLEAR CHROMATE COATING.
- 3 GOLD FLASH FOR A LENGTH OF .100 MIN FROM MATING END, .000100 MIN TIN ON OPPOSITE END, BOTH OVER .000050 MIN NICKEL.
- 4 .000030 MIN GOLD FOR A LENGTH OF .100 MIN FROM MATING END, .000100 MIN TIN ON OPPOSITE END, BOTH OVER .000050 MIN NICKEL.
-OR-
GOLD FLASH OVER .000030 MIN PALLADIUM NICKEL .100 MIN FROM MATING END, .000100 MIN TIN ON OPPOSITE END, BOTH OVER .000050 MIN NICKEL.

5747020-2
5747020-1
PART NUMBER

THIS DRAWING IS A CONTROLLED DOCUMENT.		DIN D. HENNY 9-9-05		TE Connectivity	
DIMENSIONS: INCHES		CHK S. BOLASH 9-9-05		NAME M. WALMSLEY 9-9-05	
TOLERANCES UNLESS OTHERWISE SPECIFIED:		APD M. WALMSLEY 9-9-05		PRODUCT SPEC 108-40025	
0 PLC ± -		APPLICATION SPEC 114-40013		SIZE A1	
1 PLC ± -		WEIGHT -		DRAWING NO. 00779	
2 PLC ± -		CUSTOMER DRAWING		SCALE 4:1	
3 PLC ± .005		SHEET 1 OF 1		REV B	
4 PLC ± - ± A		RESTRICTED TO			